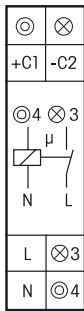


STAIRCASE TIME SWITCH TLZ12G-230V+UC THE NOISELESS



TLZ12G-230V+UC



Noiseless solid-state relay not potential-free 400 W, also energy saving lamps ESL and LED lamps. Switch-off early warning and pushbutton permanent light switchable. Standby loss 0.4 watt only. With ESL optimisation and multifunction.

Modular device for DIN-EN 60715 TH35 rail mounting.
1 module = 18 mm wide, 58 mm deep.

Zero passage switching to protect lamps. This prolongs in particular the lifetime of energy saving lamps. The noiseless electronics and zero passage switching do not even bother the sensitive ear – unlike many synchronous motors with mechanical gears.

Control, supply and switching voltage 230 V. Additionally 8 to 230 V UC electrically isolated universal control voltage. 3-wire and 4-wire circuits, resettable, with attic lighting if 4-wire circuit. **Automatic detection of the method of connection.**

Glow lamp current up to 50 mA, dependent on the ignition voltage of the glow lamps.

Precise variable time range from 1 to 30 minutes, settable by minute scale.

Permanent light switch with the big rotary switch.

If the function TLZ is set, the lighting is switched on again after a power failure provided the set time has not yet elapsed.

With double connections for pushbutton and lamp in order to connect either above or below or only below. **If switch-off early warning function is switched on** the light starts flickering approx. 30 seconds before time-out and is repeated three times at decreasing time intervals.

If pushbutton permanent light is switched on permanent light can be switched on by pressing pushbutton longer than 1 second. This is switched off automatically after 60 minutes or by pressing pushbutton longer than 2 seconds.

If both switch-off early warning function and permanent light pushbutton are switched on, the switch-off early warning function is activated before the permanent light switches off.

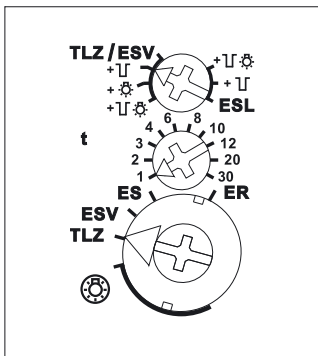
When energy saving lamps ESL are completely or partially switched, then set the switch-off early warning and the pushbutton permanent light on the right hand side of the rotary switch.

If the function TLZ is selected **the time can be extended** within the first second after switching on or resetting **by pressing the pushbutton repeatedly up to three times** (incrementing). Each momentary-contact control increments the set time once.

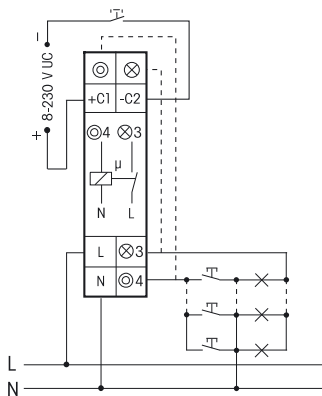
With multifunction: the following functions can be selected optionally: ES (impulse switch), ER (relay), ESV (impulse switch with release delay).

If the function ESV is set the time ranges (t) which can be set with the middle rotary switch are as follows: 1 = 2 min, 2 = 5 min, 3 = 10 min, 4 = 15 min, 6 = 25 min, 8 = 35 min, 10 = 45 min, 12 = 60 min, 20 = 90 min, 30 = 120 min. In this function the impulse switch automatically disconnects after the set delay is timed out, if a manual OFF command has not been given. Switch-off early warning and pushbutton permanent light can be switched on additionally in this position as well. Forgotten permanent light is switched off after 2 hours.

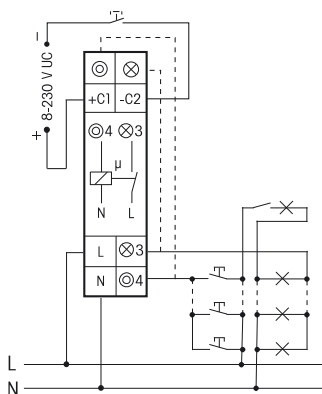
Function rotary switches



Typical connections



3-wire circuit, resettable.



4-wire circuit with attic lighting, resettable.

Technical data page 15-10.
Housing for operating instructions GBA14, see accessories, chapter Z.

⏏ = Switch-off early warning function

⏏ = Permanent light by pushbutton

⏏ = Switch-off early warning function and permanent light by pushbutton

⊙ = Permanent light switched on (all click-stop positions)

TLZ/ESV/ES/ER = The set function is active

TLZ12G-230V+UC	Solid state relays 400 W	EAN 4010312401460	53,70 €/pc.
-----------------------	--------------------------	-------------------	--------------------