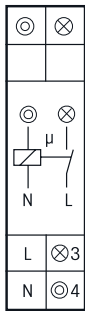


**STAIRCASE TIME SWITCH TLZ12-8
THE SIMPLE**



TLZ12-8



1 NO contact not potential free 16 A/250 V AC. 230 V LED lamps and energy saving lamps ESL up to 100 W, incandescent lamps up to 2000 W. Without switch-off early warning. Standby loss 0.7 watt only.

Modular device for DIN EN 60715 TH35 rail mounting.
1 module = 18 mm wide, 58 mm deep.

The noiseless electronics do not even bother the sensitive ear - unlike many synchronous motors with mechanical gears.

230 V control voltage, supply voltage and switching voltage.

Variable time range from approx. 0.2 to 12 minutes.

Glow lamp current up to 50 mA, dependent on the ignition voltage of the glow lamps.

Own permanent light switch with the big rotary switch.

3-wire and 4-wire circuits, resettable, with attic lighting if 4-wire circuit.

Automatic detection of the method of connection.

Without switch-off early warning function and without zero passage switching.

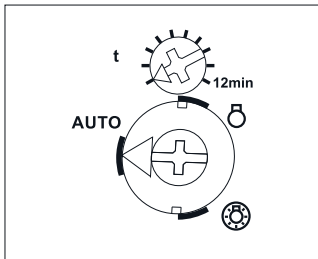
With double connections for pushbutton and lamp in order to connect either above or below or only below.

⊖ = Function switched off

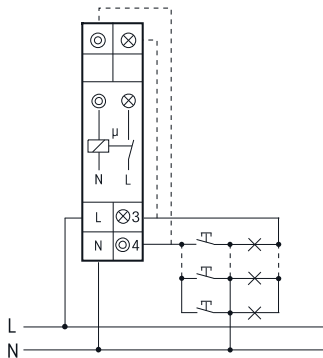
⊕ = Permanent light switched on

AUTO = The set function is active

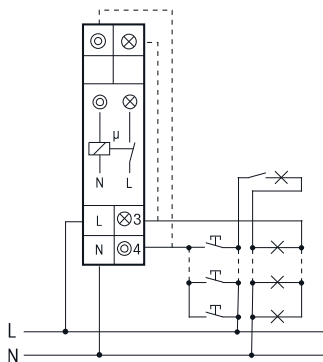
Function rotary switches



Typical connections



3-wire circuit, resettable.



4-wire circuit with attic lighting, resettable.

TLZ12-8	Staircase time switch, 1 NO contact 16 A	Art. No. 23100934	44,90 €/pc.
----------------	--	--------------------------	--------------------



Manuals and documents in further languages:
<https://eltako.com/redirect/TLZ12-8>

Technical data page 15-10.
Housing for operating instructions
GBA14 page 1-50 chapter 1.