

SDS12/1-10V



1 NO contact not potential free 600 VA and 1-10 V control output 40 mA. Only 1 watt standby loss. With adjustable minimum brightness and dimming speed. With switching operation for children's rooms and snooze function.

Modular device for DIN-EN 60715 TH35 rail mounting.
1 modul = 18 mm wide, 58 mm deep.

Zero passage switching with soft ON and soft OFF to protect lamps.

Also adapted for LED driver with 1-10 V passive interface, without voltage source up to 0.6 mA, above this value an additional voltage source is necessary.

Universal control voltage 8 to 230 V UC, local and central on/off with same potential.

Supply voltage 230 V electrically isolated.

State-of-the-art hybrid technology combines advantages of nonwearing electronic control with high capacity of special relays.

The brightness level is stored on switch-off (Memory).

In case of a power failure the switch position and the brightness stage are stored and may be switched on when the power supply is restored.

The minimum brightness (fully dimmed) is adjustable with the upper % rotary switch.

At the same time, you define whether the children's room function and the snooze function are active (+KI +SL).

The dimming speed is adjustable using the lower dimming speed rotary switch.

The load is switched on and off by a bistable relay at output EVG (electronic ballast units). Switching capacity for fluorescent lamps or LV halogen lamps with electronic ballast units 600 VA.

By using a bistable relay coil power loss and heating is avoided even in the on mode. After installation, wait for short automatic synchronisation before the switched consumer is connected to the mains.

Either direction pushbuttons can be connected to ▲ ▼ or these terminals are bridged and a pushbutton is connected as universal pushbutton. As direction pushbutton ▲ is 'switch on and dim up' and ▼ is 'switch off and dim down'. A double click at ▲ triggers the automatic updimming until full brightness with dim speed. A double click at ▼ triggers the snooze function. The children's room function is realized with the pushbutton at ▲.

As a universal pushbutton, change the direction by briefly releasing the pushbutton.

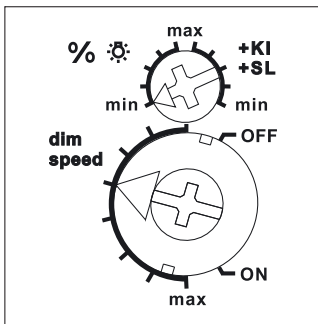
Switching operation for children's rooms KI (universal pushbutton or direction pushbutton ▲):

If the light is switched on by holding down the pushbutton, it starts at the lowest brightness level after approx. 1 second and dims up slowly as long as the pushbutton is held down without modifying the last stored brightness level.

Snooze function SL (universal pushbutton or direction pushbutton ▼): With a double impulse the lighting is dimmed down from the current dimming position to the minimum brightness level and switched off.

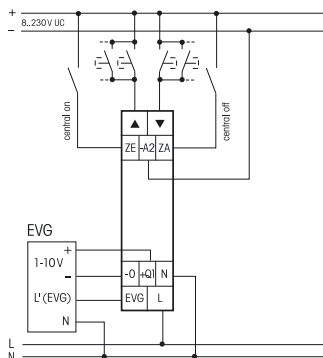
The current dimming position as well as the adjustable minimum brightness level determine the dimming time (max. = 60 minutes) which can be reduced as required. It can be switched off at any time by short-time control commands during the lighting is dimmed down. Holding down the pushbutton during the dimming down process dims up and stops the snooze function.

Function rotary switches

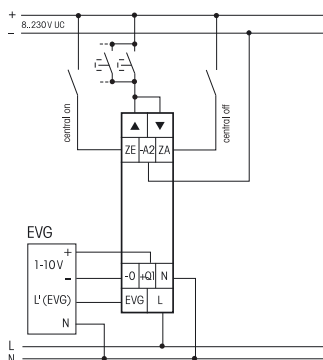


Standard setting ex works.

Typical connections



with direction pushbutton



with universal pushbutton

Technical data page 9-24.
Housing for operating instructions GBA14,
see accessories, chapter Z.

Recommended retail prices excluding VAT.

SDS12/1-10V	1 NO contact 600 VA	EAN 4010312109403	57,00 €/pc.
-------------	---------------------	-------------------	-------------