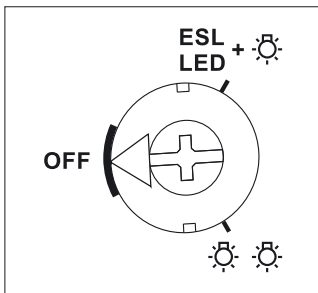




Function rotary switch



Standard setting ex works.

Standard setting ex works.

The switching mode **"one lamp"** (☼) or **"additional lamps"** (☼☼) is set with a rotary switch on the front.

This setting must be same as the actual installation, otherwise there is a risk of destruction of the electronics.

Alternative setting for ESL and 230 V LED when the universal dimmer switch in operated in the ESL or LED comfort settings. See page 9-8.

Technical data page 9-24.
Housing for operating instructions GBA14, see accessoires, chapter Z.

LUD12-230V



Capacity enhancer for universal dimmer switches. Power MOSFET up to 400 W. Standby loss 0.1 watt only.

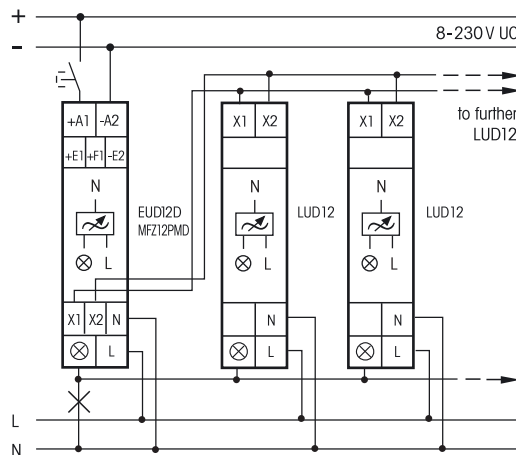
Modular device for DIN EN 60715 TH35 rail mounting. 1 module = 18 mm wide, 58 mm deep. Capacity enhancers LUD12-230V can be connected to the universal dimmer switches EUD12D, SUD12 (1-10 V input) and the multifunction time relay MFZ12PMD. By this the switching capacity for **one lamp** will be increased up to 200 W or **alternatively for additional lamps** up to 400 W per each capacity enhancer. Dimmable energy saving lamps and dimmable 230 V LED lamps are also dependent on the lamp electronics. Both switching modes for increase of capacity can be executed simultaneously. Automatic lamp detection in the "Capacity increase **with additional lamps**" setting. Supply voltage 230 V.

Automatic electronic overload protection and over-temperature switch-off.

In the mode "Increase of capacity with additional lamps" the kind of load of a capacity enhancer LUD12-230V can vary from the kind of load of the universal impulse dimmer switch.

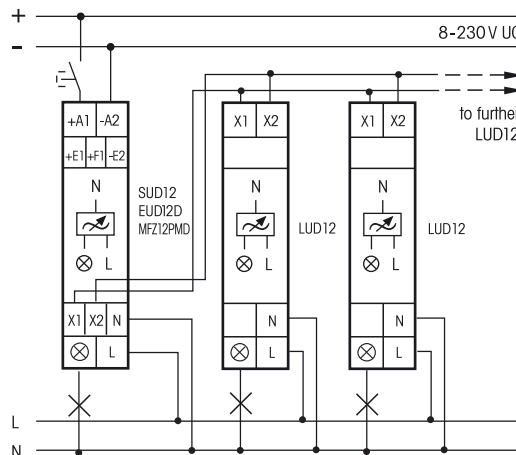
Therefore it is possible to mix L loads and C loads.

Increase of capacity for one lamp (☼), ESL and LED see next page



EUD12D and MFZ12PMD:
1.-9. LUD12 + up to 200 W each

Increase of capacity with additional lamps (☼☼), ESL and LED see next page



EUD12D, SUD12 and MFZ12PMD:
1.-8. LUD12 + up to 400W each

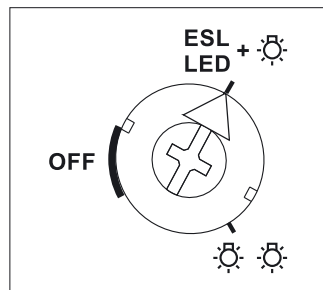
LUD12-230V	Power MOSFET up to 400 W	EAN 4010312107867	64,10 €/pc.
-------------------	--------------------------	-------------------	--------------------



LUD12-230V

Capacity increase with capacity enhancer LUD12 for ESL dimmable energy saving lamps and dimmable 230 V LED lamps in the ESL and LED comfort settings.

Function rotary switch



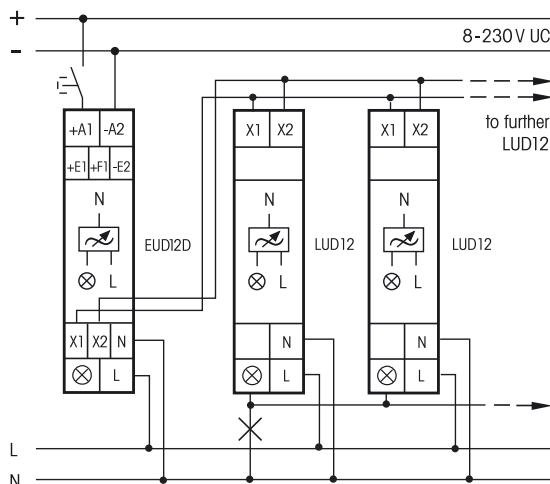
Standard setting ex works.

This setting must be made on the front panel of ESL and 230 V LED lamps if the universal dimmer switch is operated in the ESL or LED comfort settings. Also for capacity increase with additional lamps.

Otherwise there is a risk of destruction of the electronics.

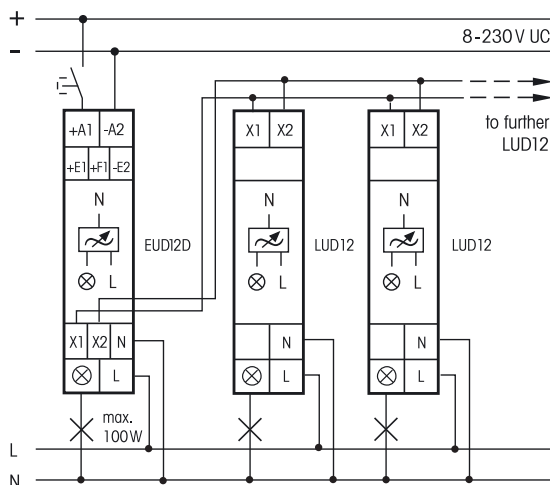
Technical data page 9-24.
Housing for operating instructions GBA14,
see accessoires, chapter Z.

Increase of capacity for one lamp



1. - 9. LUD12 + up to 100 W each

Increase of capacity with additional lamps



1. - 9. LUD12 + up to 100 W each

LUD12-230V	Power MOSFET up to 400 W	EAN 4010312107867	64,10 €/pc.
-------------------	--------------------------	-------------------	--------------------