

## OVERVIEW

Type	Switching type	Control voltage	Current consumption	Nominal switching current/voltage	Pushbutton type	Advantages and application
IFE12-10TS	Off-switch	12 V AC	5 mA	10 A/250 V AC	Without glow lamp	Impulse switch with 1 NO contact
IFES12-20TS	Impulse multi-circuit switch	12 V AC	5 mA	10 A/250 V AC	Without glow lamp	Multicircuit switch sequence 0/1/2/1+2/0
IFED12-20	Double off-switch	12 V AC	5 mA	10 A/250 V AC	Without glow lamp	Two separately controllable remote switch in one device; space-saving and well suited for new distributions



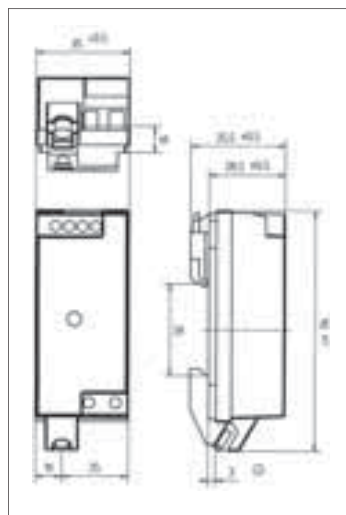
Mounting plate HPI

## IFE..

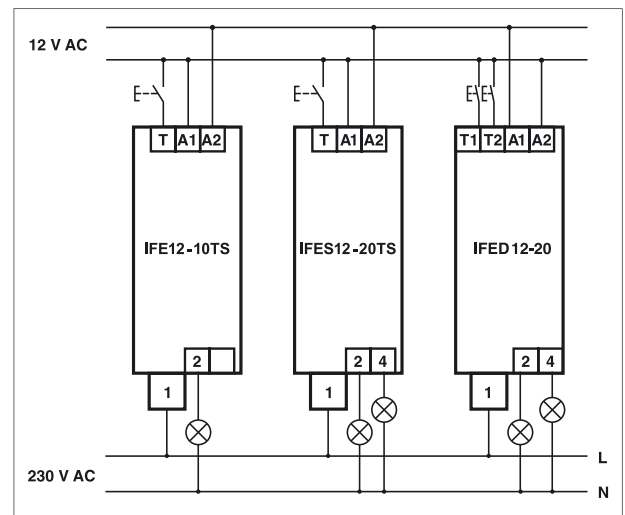
### Impulse switches with monostable relay 10 A/250 V AC

- No annoying switching noises.
- For DIN rail and screw fastening.
- 100% duty cycle.
- Increased insensitivity to unsafe contact with the button.
- Minimal power consumption.
- According to DIN VDE 0637 and EMC directive.
- Shock protected.

#### Dimension drawing in mm



#### Wiring diagram



Max. fuse 10 A  
 Note: the buttons must be connected to T and optionally to A1 or A2. The remote switches with monostable relay are not suitable for operation with illuminated buttons.

Technical data page 11-17.

<b>IFE12-10TS</b>	1 NO contact 10 A	EAN 4010312107379	<b>20,10 €/pc.</b>
<b>IFES12-20TS</b>	1+1 NO contact 10 A	EAN 4010312107430	<b>27,40 €/pc.</b>
<b>IFED12-20</b>	2x1 NO contacts 10 A	EAN 4010312107454	<b>27,40 €/pc.</b>
<b>HPI</b>	Mounting plate with screws	EAN 4010312901663	<b>1,30 €/pc.</b>

## OVERVIEW

Type	Switching type	Control voltage	Current consumption	Nominal switching current/voltage	Pushbutton type	Advantages and application
IFE12-10.11	Off-switch	12 V AC	1 mA	10 A/250 V AC	With or without glow lamp <sup>1)</sup>	Use with illuminated buttons: The button lighting is always on.
IFE12-20.13	Double off-switch	12 V AC	1 mA	10 A/250 V AC	without glow lamp	two separately controllable remote switch in one device

<sup>1)</sup> Suitable for all illuminated button types up to a maximum glow lamp current of 50 mA.

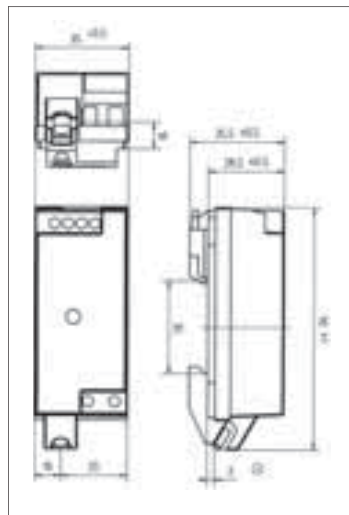


Mounting plate HP1

## IFE..

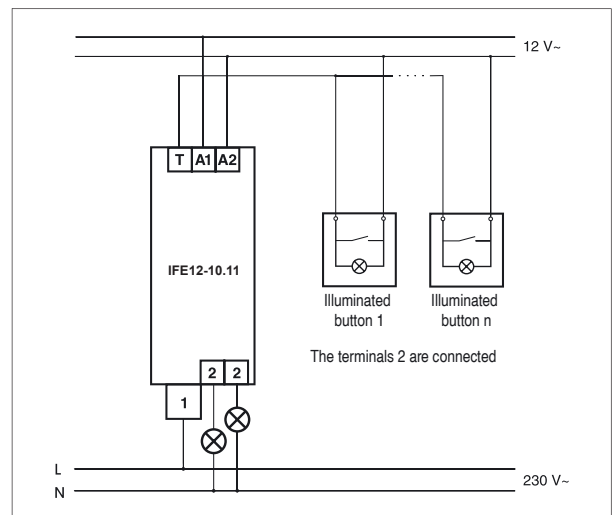
### Impulse switches with bistable relay 10 A/250 V AC

#### Dimension drawing in mm



#### IFE12-10.11

For illuminated and non-illuminated buttons, button lighting always on.



Technical data page 11-17.

IFE12-10.11	1 NO contact 10 A	EAN 4010312107386	<b>27,40 €/pc.</b>
IFE12-20.13	2x1 NO contacts 10 A	EAN 4010312107461	<b>38,00 €/pc.</b>
HP1	Mounting plate with screws	EAN 4010312901663	<b>1,30 €/pc.</b>