



# FLUD14

**Capacity enhancer for universal dimmer switch FUD14/800 W, Power MOSFET up to 400 W. Standby loss 0.1 watt only.**

Modular device for DIN EN 60715 TH35 rail mounting.

1 module = 18 mm wide, 58 mm deep.

Capacity enhancers FLUD14 can be connected to the universal dimming actuator FUD14/800W. By this the switching capacity **for one lamp** will be increased up to 200 W or alternatively **for additional lamps** up to 400 W per each capacity enhancer.

The two circuits to increase capacity can be created at the same time using several FLUD14s.

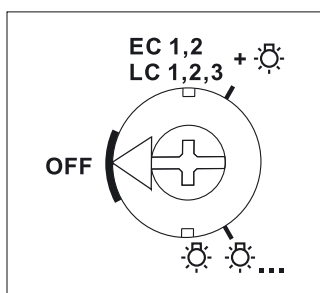
Supply voltage 230 V. No minimum load.

Automatic electronic overload protection and over-temperature switch-off.

The lamp type of a capacity enhancer FLUD14 in the 'Capacity increase with additional lamps' may deviate from the lamp type of the universal dimmer switch FUD14/800W.

**It is therefore possible to mix capacitive and inductive loads.**

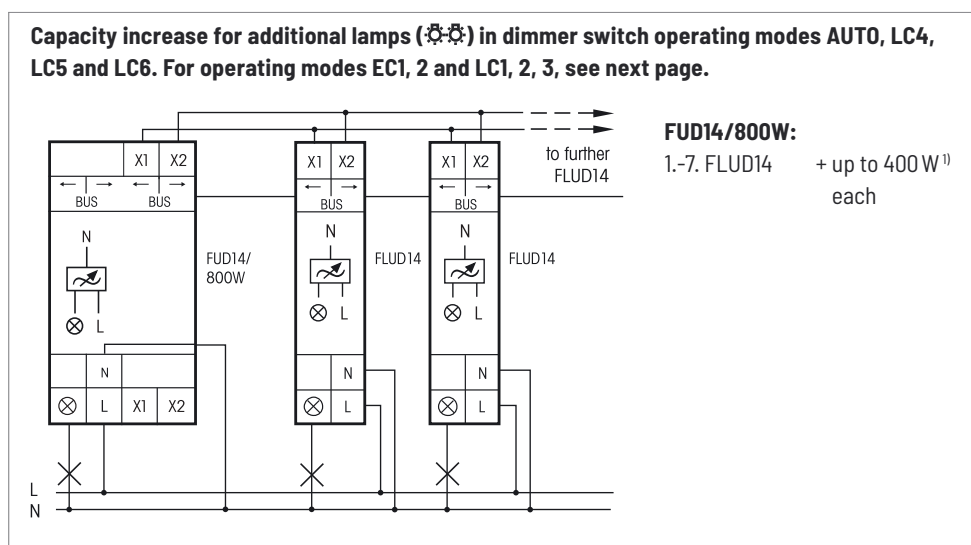
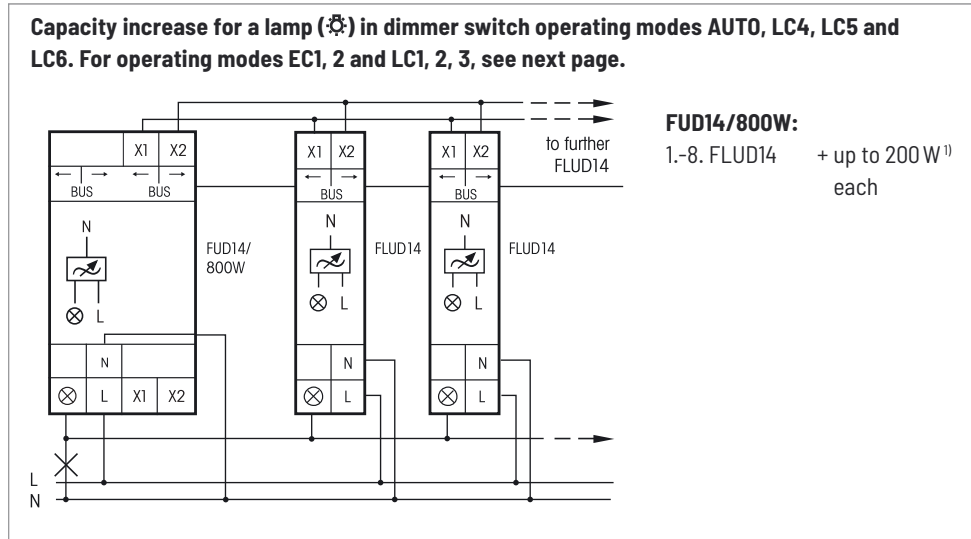
## Function rotary switch



Standard setting ex factory.

The switching mode **"one lamp"** (☀️) or **"additional lamps"** (☀️☀️) is set with a rotary switch on the front.

**This setting must be same as the actual installation, otherwise there is a risk of destruction of the electronics.**



<sup>1)</sup> Ventilation clearance of 1/2 module to adjacent devices must be maintained.

Housing for operating instructions GBA14 page 1-40.

<b>FLUD14</b>	Capacity enhancer	EAN 4010312313763	<b>64,10 € /pc.</b>
---------------	-------------------	-------------------	---------------------