



FARP60-230V

min

IP 54

**Outside wireless repeater 1 and 2 levels, 60x46 mm, 30 mm deep.
Only 0.7 watt standby loss.**

Supply voltage 230V.

This repeater is only needed if the building conditions prevent undisturbed reception or the distance between the wireless pushbutton and receiver is too great.

The 1-level mode is activated ex works. Only the signals from sensors and actuators are received, tested and retransmitted at full transmit power. Wireless signals from other repeaters are ignored to reduce the data volume.

Switchover to 2-level mode is carried out by removing the cover (loosen two screws on the front panel) and repositioning the jumper flush right. In this setting, wireless signals from other 1-level repeaters are also processed. A signal may therefore be received and amplified twice.

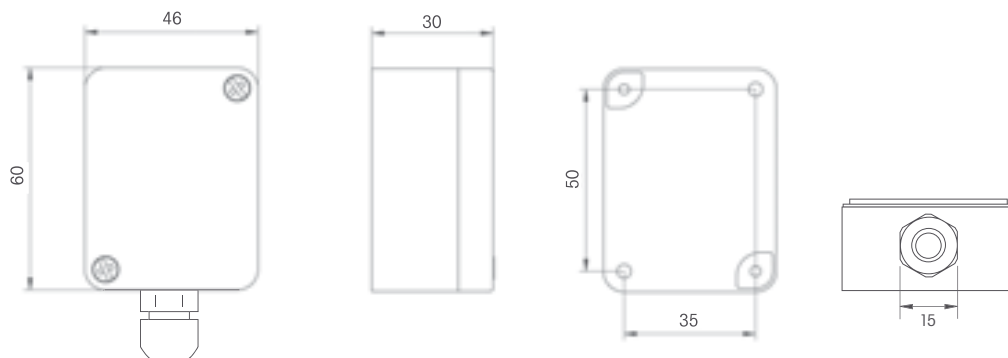
A red LED blinks briefly to indicate all the wireless signals detected.

Wireless repeaters need not be taught-in. They receive and amplify signals from all wireless sensors within their reception area.

On the underside there is an M12 screw for a waterproof mains connection.

The protection class is IP54, the allowable ambient temperature is -20°C to +55°C.

For screw mounting.



FARP60-230V Outdoor wireless repeater

EAN 4010312310137

69,70 €/pc.