



DSZ14DRS-3x80A MID

RS485 bus wireless three-phase energy meter. Maximum current 3x80A. Standby loss 0.8W at L1 and only 0.5W at L2 and L3 each.

Modular device for DIN-EN 60715 TH35 rail mounting in distribution cabinets with IP51 protection class. 4 modules = 70mm wide and 58mm deep.

Accuracy class B (1%). With RS485 interface.

It measures active energy by means of the current between input and output. The internal power consumption of 0.8W or 0.5W active power per path is neither metered nor indicated.

1, 2 or 3 phase conductors with max. currents up to 80A can be connected.

The inrush current is 40mA.

The terminals 1L1 and N must always be connected.

Connection to the Eltako RS485 bus via a FBA14 by means of a 2-wire screened bus line (e.g. telephone line). The meter reading and the momentary capacity are transferred to the bus – e.g. for transfer to an external computer of the GFVS 4.0 Software – and is also transferred to the wireless network via the FAM14. For this it is necessary that a device address is assigned from the wireless antenna module FAM14, according to the operating instructions. Also display with FEA65D.

The 7 segment LC display is also legible twice within a period of 2 weeks without power supply.

The power consumption is displayed with a LED flashing 1000 times per kWh next to the display.

Designed as standard for using as double-tariff meter: Switch over to a second tariff by applying 230V to terminals E1/E2.

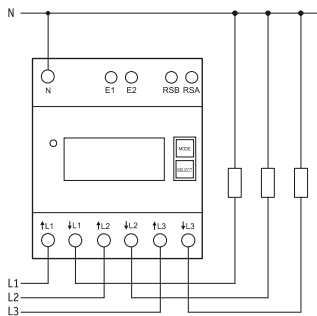
On the right next to the display are the keys MODE and SELECT. Press them to scroll through the menu according to the operation manual. First the **background lighting** switches on. The display then shows the total active energy per tariff, the active energy per resettable memory RS1 or RS2, and the instantaneous values of consumption, voltage and current per phase.

Error message (false)

When the phase conductor is missing or the current direction is wrong 'false' and the corresponding phase conductor are indicated on the display.

Typical connection

4-wire-connection 3x230/400V



Connection example page 1-44.

Technical data, see page 1-46.

Housing for operating instructions
GBA14 page 1-42.

**DSZ14DRS-
3x80A**

RS485 bus wireless three-phase energy
meter, MID approval

EAN 4010312501733

165,00 €/pc.