



Single-phase energy meter WSZ12D-32A with display, with MID approval

**Only skilled electricians may install this electrical equipment otherwise there is the risk of fire or electric shock!**

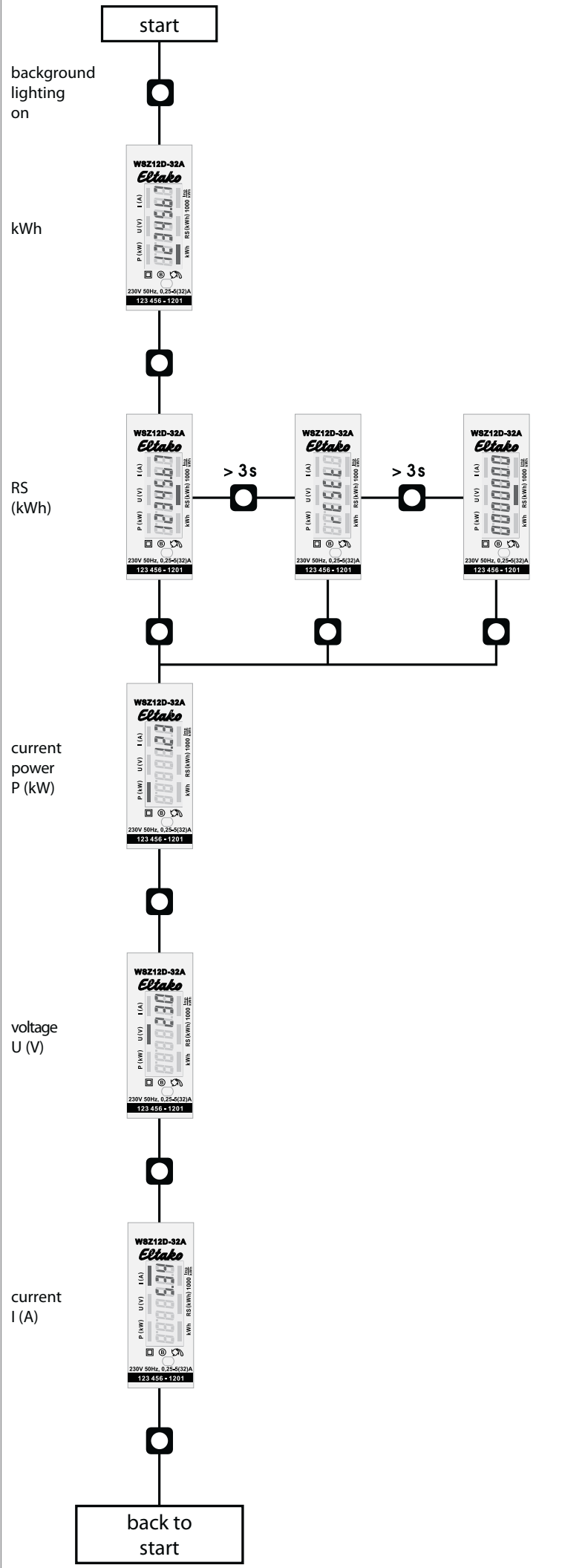
Temperature at mounting location: -25°C up to +55°C.  
Storage temperature: -25°C up to +70°C.  
Relative humidity: annual average value <75%.

**Maximum current 32A. Standby loss 0.4 watt only.**  
Modular device for DIN-EN 60715 TH35 rail mounting.  
1 module = 18mm wide and 58mm deep.  
Accuracy class B (1%). With SO interface as standard.  
This single-phase energy meter measures active energy by means of the current between input and output. The internal power consumption of 0.4 watt active power is neither metered nor indicated.  
1 phase conductor with a max. current of up to 32A can be connected. The start current is 20mA.  
If the anticipated load exceeds 50%, maintain an air gap of 1/2 pitch unit to the devices mounted adjacently. If necessary, use spacer DS12.  
Two N terminals for secure cross wiring of several counters.  
Power consumption is shown by a bar flashing at a rate of 1000 times per kWh. In the event of a connection error the bar flashes at a high rate (2 times per second).  
When the display is running, it shows the total active energy and the display bars are in the kWh position.  
Press the button under the display to switch on the background lighting. Then you can browse through the menu. The bar moves to the current display: the cumulative power of the resettable memory RS (kWh), the current power P (kW), the current voltage U (V) and the present current I (A) will be displayed successively. In the end it will be browsed to the active energy display (kWh). The program automatically returns back to normal display (kWh) 20 seconds after pressing the button and the background lighting will be switched off.  
The memory RS is reset by pressing the button for longer than 3 seconds while the memory is displayed. Then confirm the message 'reset' by pressing the button again for 3 seconds.  
**The 7 segment LC display is also legible twice within a period of 2 weeks without power supply. Press the button.**

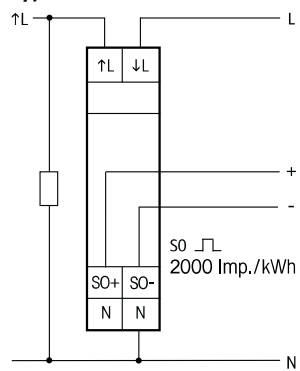
**Technical data**

Rated voltage, extended range	230V, 50Hz, -20%/+15%
Reference current $I_{ref}$ (Limiting current $I_{max}$ )	5 (32) A
Internal consumption active power	0.4 W
Display	LC display 7 digits, therefrom 1 or 2 digits after the decimal point
Accuracy class $\pm 1\%$	B
Inrush current according to accuracy class B	20 mA
Ambient temperature limits	-25/+55°C
Interface	potential free by opto-coupler, max. 30V DC/20mA and min. 5V DC. SO: pulse output described in DIN EN 62053-31, impedance 100 Ohm, pulse length 30 ms, 2000 Imp./kWh
Protection degree	IP50 for mounting in distribution cabinets with protection class IP51
Maximum conductor cross section	L terminals 16 mm <sup>2</sup> N and SO terminals 6 mm <sup>2</sup>
EC type examination certificate	TCM221/14-5207
Mechanical environmental conditions	class M1
Electromagnetic environmental conditions class	class E2

**Menu guidance WSZ12D**



## Typical connection



## EC DECLARATION OF CONFORMITY

File name	FQKZ050
Product	<b>Single-phase energy meter with MID approval</b>
Type designation	<b>WSZ12D-32 A</b>
EC-type examination certificate	TCM 221/14-5207
In accordance with DIN EN 50470, parts 1 and 3: Mai 2007 (electronic meters) and the following Directives of the European Parliament and of the Council (relevant version):	
2004/22/EC	measurement devices
2004/108/EC	electromagnetic compatibility (EMC Directive)
2011/65/EU	restriction of the use of certain hazardous substances (RoHS directive)
Notified body	SGS United Kingdom Limited, Number 0120 Unit 202B Worle Parkway, Weston Super Mare, BE226WA. UK
Issuer	Eltako GmbH Hofener Straße 54, D-70736 Fellbach
Place, Date	Fellbach, 27. August 2015
signed	Ulrich Ziegler, General Manager

This declaration proves the compliance with the above-mentioned EC Directive(s) but it does not include any assurance of properties. Security advices of the provided product information have to be noticed.

### Must be kept for later use!

We recommend the housing for operating instructions GBA12.

## Eltako GmbH

D-70736 Fellbach

+49 711 94350000

www.eltako.com