



Eltako

23 100 934 - 1

## Staircase time switch TLZ12-8

**Only skilled electricians may install this electrical equipment otherwise there is the risk of fire or electric shock!**

Temperature at mounting location:

-20°C up to +50°C.

Storage temperature: -25°C up to +70°C.

Relative humidity:

annual average value <75%.

1 NO contact not potential free 16A/250V AC. Incandescent lamps up to 2000W, energy saving lamps ESL and LED up to 100W, without switch-off early warning. Standby loss 0.7 watt only.

Modular device for DIN EN 60715 TH35 rail mounting. 1 module = 18mm wide, 58mm deep.

**The noiseless electronics** do not even bother the sensitive ear – unlike many synchronous motors with mechanical gears. 230V control voltage, supply voltage and switching voltage.

Variable time range from approx. 0.2 to 12 minutes.

Glow lamp current up to 50mA, dependent on the ignition voltage of the glow lamps.

**Own permanent light switch** with the big rotary switch.

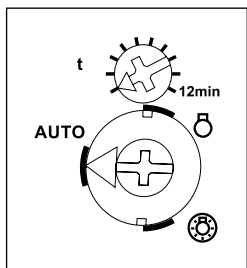
3-wire and 4-wire circuits, resettable, with attic lighting if 4-wire circuit.

**Automatic detection of the method of connection.**

Without switch-off early warning function and without zero passage switching.

**With double connections** for pushbutton and lamp in order to connect either above or below or only below.

### Function rotary switches

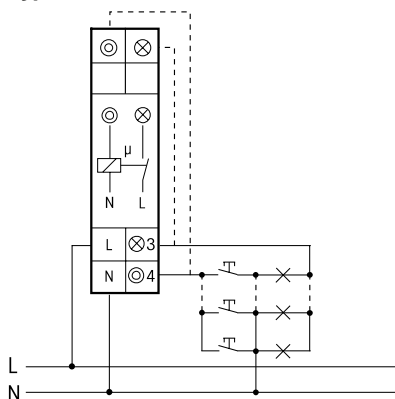


⊖ = Function switched off

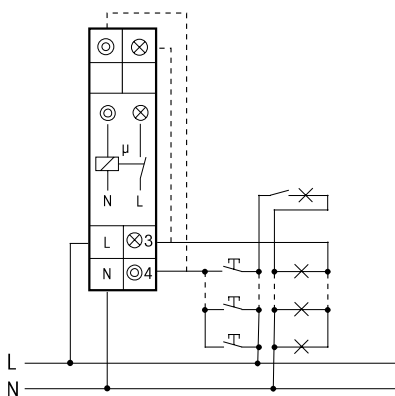
⊗ = Permanent light switched on

AUTO = The set function is active

### Typical connections



3-wire circuit, resettable



4-wire circuit with attic lighting, resettable

### Technical data

⊖	Control pushbutton 230V with glow lamp current up to 50mA
⊗	Lamp connection
Standby loss (activ power)	0,7W

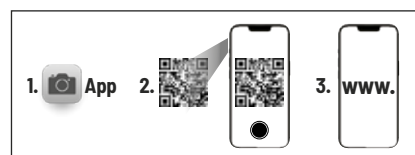


The strain relief clamps of the terminals must be closed, that means the screws must be tightened for testing the function of the device. The terminals are open ex works.

### Manuals and documents in further languages:



<http://eltako.com/redirect/TLZ12-8>



### Must be kept for later use!

We recommend the housing for operating instructions GBA14.

### Eltako GmbH

D-70736 Fellbach

**Technical Support English:**

+49 711 94350025

technical-support@eltako.de

eltako.com