



30 062 006 - 1

Eltako**1-channel timer with potential-free contact and Bluetooth
SU62PF-BT/UC****Only skilled electricians may install this electrical equipment otherwise there is the risk of fire or electric shock!**

Temperature at mounting location:
-20°C up to +50°C.
Storage temperature: -25°C up to +70°C.
Relative humidity:
annual average value < 75%.

ELTAKO Connect App download:<https://eltako.com/redirect/eltako-connect>

1-channel timer with potential-free contact, Bluetooth and ELTAKO Connect-App. 1 NO contact potential-free 10 A/250 V AC, 230 V LED lamps and ESL up to 200 W, incandescent lamps 2000 W. With 'astro' function. Only 0.3 watt standby loss.

For installation. 49x51 mm, 20 mm deep.

The terminals are plug-in terminals for conductor cross-sections of 0.2 mm² to 2.5 mm².

Supply and control voltage 12-230 V UC.

Bistable relay, so there is no coil power loss and no heating even when switched on.

Up to 60 memory locations for programming switching times. With date and automatic summer/winter time changeover. Ca. 7 days power reserve without battery.

When the power returns, the timer switches the programs on again.

Each memory location can be assigned either the astro function (automatic switching after

the astro function (automatic switching after sunrise or sunset) or the switch-on and switch-off times; one-time program execution can be configured. The astro switch on/off time can be changed up to ±2 hours. A time lag of up to ±2 hours influenced by the solstices can be entered additionally.

The timer is set via Bluetooth with the ELTAKO Connect-App. The QR-Code in the operating instructions links to download of the App, which allows to configure the device.

Pairing mode: Automatic for 3 minutes after the voltage is applied or manually using the local button (press for 5 seconds).

Briefly switching the load on and off signals that it is ready for pairing.

The connection can now be established with the app (**delivery status PIN 123123**). If the connection is not disconnected via the app, it will be automatically disconnected after 20 minutes without communication with the app. After the connection with the app has been disconnected, the timer is ready for pairing again for 3 minutes, but can be manually terminated using the local button (press for 5 seconds). **Switching the load on and off twice signals the end of the pairing readiness.**

Change PIN: The PIN for the Bluetooth connection can be changed in the app under the **Device PIN** entry.

Bluetooth reset (delete any changed PIN): Briefly tap the local button 8 times or switch the supply voltage on and off 8 times.

Operate the timer with the local button:

Manual switching: You can always switch it on and off manually by briefly pressing a button.

Setting the timer using the ELTAKO Connect-App:

Edit programs: Create, edit and activate/de-activate time and astro programs, as well as the option to run a program only once.

Channel configuration: Choose between the **AUTO, on** or **off** function. The timer only switches according to the time and astro programs when the AUTO function is activated.

Random mode: When random mode is switched on, all switching times are randomly shifted by up to 15 minutes. Switch-on times to earlier and switch-off times to later.

Summer/winter time changeover: Setting a time shift of up to ±2 hours at the summer solstice and the winter solstice.

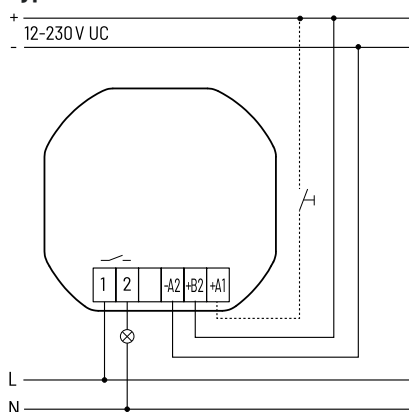
Date and time: Date, time, time zone and summer/winter time can be set manually or automatically determined and set by the app.

Location: The location can be entered manually or determined and set by the app.

Bluetooth: Selection between the following **Bluetooth pairing** readiness levels:

- **3min-On:** After the voltage is applied, the timer is ready for pairing for 3 minutes.
- **Manual-On:** The pairing readiness can only be activated for 3 minutes using the local button.
- **Permanent-On:** Permanent pairing readiness. Bluetooth remains permanently active.

Factory settings: Choose between deleting all programs, resetting Bluetooth pairing settings and resetting to factory settings.

Typical connection**Technical data**

Supply voltage	12...230 V UC
Nominal switching power	10 A/250 V AC

Manuals and documents in further languages:**Manuals and documents in further languages:**https://eltako.com/redirect/SU62PF-BT*UC

Frequency	2.4 GHz
Transmit power	max. 1 mW

Hereby, ELTAKO GmbH declares that the radio equipment type SU62PF-BT/UC is in compliance with Directive 2014/53/EU.

The full text of the EU declaration of conformity can be accessed via the QR code or the internet address under 'Documents'.

Must be kept for later use!

We recommend the housing for operating instructions GBA14.

ELTAKO GmbH

D-70736 Fellbach

Technical Support English:

☎ +49 711 94350025

✉ technical-support@eltako.deeltako.com

31/2024 Subject to change without notice.