



22 100 430 - 1



Current-limiting relay capacitive SBR12-230V/240µF

Only skilled electricians may install this electrical equipment otherwise there is the risk of fire or electric shock!

Temperature at mounting location:
-20°C up to +50°C.
Storage temperature: -25°C up to +70°C.
Relative humidity:
annual average value <75%.

1 NO contact 16 A/250 V AC. No standby loss.

Modular device for DIN 60715 TH35 rail mounting. 1 module = 18 mm wide, 58 mm deep.

Max. capacitive load 240 µF downstream of rectifier (e.g. energy saving lamps and electronic ballast) or 120 µF directly at the mains (e.g. shunt-compensated fluorescent lamps).

Limiting resistor 12 Ω, limiting period approx. 15 msec.

The starting current impulse of energy saving lamps, fluorescent lamps and compact

fluorescent lamps is limited to 20 A by short-time switch-on (approx. 15 msec.) of heavy-duty resistors (12 Ω).

The current-limiting relay is connected on the load side of the protected relay contact. Permanent load max. 1200 W, max. switching frequency 600/h.

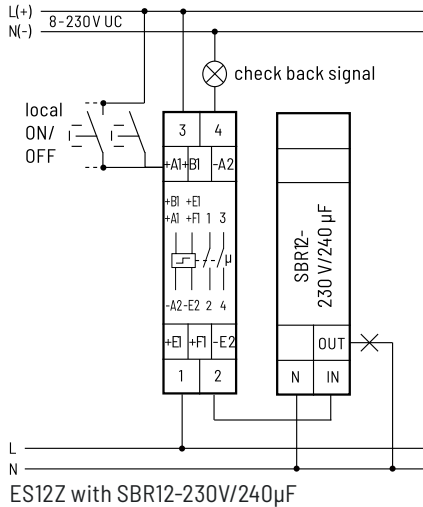
Explanation of capacitive load specification:

The specified max. capacitive load directly at the mains is the deciding factor determining shunt-compensated fluorescent lamps or conventional ballast, for example. Here the capacitor switched in parallel to the mains is the deciding factor determining the correct dimensioning per lamp.

The specified max. capacitive load downstream of the rectifier is the deciding factor determining fluorescent lamp ballast or energy saving lamps, for example. An equivalent

capacitance of 10 µF per lamp may be calculated.

Typical connection

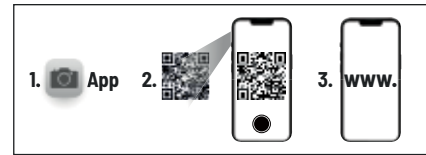


The strain relief clamps of the terminals must be closed, that means the screws must be tightened for testing the function of the device. The terminals are open ex works.

Manuals and documents in further languages:



https://eltako.com/redirect/SBR12-230V*240*F



Must be kept for later use!

We recommend the housing for operating instructions GBA14.

ELTAKO GmbH

D-70736 Fellbach

Technical Support English:

+49 711 943 500 25

technical-support@eltako.de

eltako.com

02/2024 Subject to change without notice.