



23 002 903 - 1

## 2-channel timer with display and Bluetooth S2U12DBT-UC

**Only skilled electricians may install this electrical equipment otherwise there is the risk of fire or electric shock!**

Temperature at mounting location: -20°C up to +50°C.  
Storage temperature: -25°C up to +70°C.  
Relative humidity: annual average value <75%.

### ELTAKO Connect App download:



<https://eltako.com/redirect/eltako-connect>

**! Note: Select English language !\***  
**2-channel timer with display and Bluetooth with the app ELTAKO Connect. 1+1C0 contact potential free 10 A/250 V AC, with DX technology. With display lighting and astro function. Standby loss only 0.1-0.3 watts. Supply voltage 12..230 V UC. Central ON and central OFF control inputs for 8..230 V UC, galvanically isolated from the supply voltage and switching voltage.**  
Modular device for DIN-EN 60715 TH35 rail mounting. 2 modules = 36 mm wide, 58 mm deep.  
**With the patented ELTAKO Duplex technology (DX) the normally potential-free contacts can still switch in zero passage when switching 230 V AC 50 Hz and therefore drastically reduce wear. Simply connect the neutral conductor to the terminal (N) and L to 1(L) and/or 4 (L) for this.**

### This results in an additional standby consumption of only 0.1 watt.

Up to 60 timer memory locations are freely assigned to the channels. With date and automatic summer/winter time changeover. Ca. 7 days power reserve without battery. Each memory location can be assigned with the astro function (automatic switching after sunrise or sundown), the switch on/off time or a pulsed switching time (which triggers an impulse of 2 seconds). The astro switch on/off time can be changed up to ± 2 hours. A time lag of up to ± 2 hours influenced by the solstices can be entered additionally. Central control ON (terminals +E1/-E2) or OFF (terminals +F1/-E2) with priority in CIA operation (automatic with central control).

### The timer is set either via Bluetooth with the app or with the MODE and SET buttons, a button lock is possible.

### The display lighting is switched on by pressing MODE or SET for the first time.

20 seconds after you last press MODE or SET, the program returns automatically to normal display and the display illumination goes off.

### Connect the timer to the app:

Press SET, the display shows BLE (Bluetooth) and the ID of the timer. The connection to the app can now be established (delivery state PIN 123123).

Scan the QR code on the operating instructions, the app guides you through the learning process. After the connection to the app has been established, BLE+ appears in the display. The MODE and SET buttons are now locked. After 20 minutes without interacting with the timer, the connection is automatically disconnected.

**Change PIN:** The PIN for the Bluetooth connection can be changed in the app under the **Device PIN** entry.

**Bluetooth reset** (delete any changed PIN): The connection to the app must be disconnected. Press MODE and SET simultaneously for 2 seconds, RES flashes in the display. Now press SET for 2 seconds, BLE appears in the display. If you confirm with SET, the BLE reset is carried out, the PIN is deleted and the delivery status is restored.

### Set the timer with the MODE and SET buttons:

**\*Set language:** Every time the power supply is applied, press SET within 10 seconds to set the language and press MODE to confirm.

D = German, GB = English, F = French, IT = Italian and ES = Spanish.

The normal display then appears: weekday, time, day and month.

**Rapid scroll:** In the following settings, the numerals scroll rapidly when you press and hold down Enter. Release then press and hold down to change the scroll direction.

**Set clock:** Press MODE then at PRG (program) press SET to search for the **CLK function**. Press MODE to set. In H, press SET to select the hour and press MODE to confirm. In M proceed in the same way to set the minute.

**Set date:** Press MODE then at PRG press SET to search for the **DAT function**. Press MODE to select. At Y, press SET to select the year and press MODE to confirm. Proceed in the same way at M to set the month and at D to set the day. The last setting in the sequence is MO (weekday) blinking. Press SET to set it and press MODE to confirm.

### Set geographic position (if astro function is required):

you can find a list of German cities at the end of the operating manual. Press MODE then press SET at PRG to search for the **POS function**. Select by pressing MODE. Press SET at LAT to select the latitude. Select by pressing MODE. Repeat this procedure for LON to select the longitude and press MODE to confirm. Press SET at GMT to select the time zone and press MODE to confirm.

If desired a time lag of up to ± 2 hours can be entered at WS (winter solstice) and SS (summer solstice) for both channels.

### Manual switching ON or OFF with priority:

Press MODE and for PRG press SET to search for **function INT**. Then press MODE to select. For CH press SET to select channel 1 or 2 and press MODE to confirm. Now you can switch between AUT (automatic) and ON or OFF using SET. After confirming with MODE the shift position of the selected channel may change. If the shift position should change automatically when a time program becomes active, AUT (automatic) should be selected again. If MODE is pressed longer than 2 seconds at confirmations the change is saved and the normal display will appear.

**Summer/winter time changeover:** Press MODE then at PRG press SET to search for the **SWT function** and press MODE to select. Now press SET to switch between ON and OFF. If you select ON, changeover is automatic.

**Switch random mode on/off:** Press MODE then at PRG press SET to search for the **RND function** and press MODE to select. Channel 1, 2 or 1+2 is selected with SET for RND+ and confirmed with MODE. When random mode is switched on, all switch-on time points of all channels are shifted at random by up to 15 minutes. Switch-on times are switched earlier and switch-off times are switched later.

**Enable keylock:** Briefly press MODE and SET together and at LCK, press SET to lock. This is displayed by an arrow next to the lock symbol.

**Disable keylock:** Press MODE and SET together for 2 seconds and at UNL press SET to unlock.

**Entering timer programs:** Press MODE and then press MODE again at PRG (program) to select the memory location. Press SET to search for one of the 60 memory locations from P01 to P60 and press MODE to confirm. To deactivate assigned memory locations, press SET to switch over from ACT+ to ACT. After you press MODE to confirm ACT+, you can press SET and MODE each time to permit the inputs ON, OFF and IMP (for pulsed switching time of 2 seconds), channel number CH, TIM in hours H and minutes M, sundown SS, sunrise SR and working week days from MO to SU or WK (complete week). Press SET to change each input and press MODE to confirm. After you confirm SU, the memory location is fully entered. If you press MODE for longer than 2 seconds at any confirmation, the changed values are saved and the screen returns to normal display. 20 seconds after the last operation of MODE or SET, the program returns automatically to normal display. An incomplete memory location input is not saved.

An automatic **plausibility check** is performed, if a time programming (TIM) for the identical channel is entered before or after an astro programming (SR or SS). In the plausibility check it is checked whether the switching function astro time must be performed at all due to the seasonal shift. For the plausibility check the ON function in the program position has to be always programmed before the OFF function. If a plausibility check is not required, eg with a combination of an astro programming and a time programming on the next day, a program position has to be kept free between an astro programming and a time programming or the OFF function can be programmed before the ON function.

The supply voltage must be switched off and on to immediately carry out input programs retrospectively.

**Clear all memory locations:** press and hold down MODE and SET simultaneously for 2 seconds and press SET to confirm RES in the display.

#### Program examples:

P01/ON/CH1/TIM/7:50/MO+:

The light on Channel 1 switches on at 7:50 on Mondays.

P02/OFF/CH1/TIM/8:50/MO+:

The light on Channel 1 switches off at 8:50 on Mondays.

P03/ON/CH1/TIM/20:00/MO+:

The light on Channel 1 switches on at 20:00 on Mondays.

P04/OFF/CH1/TIM/21:00/MO+:

The light on Channel 1 switches off at 21:00 on Mondays.

P05/ON/CH2/SS/SA+:

The light on Channel 2 switches on at sun-down on Saturday.

P06/OFF/CH2/SR/SU+:

The light on Channel 2 switches off at sunrise on Sunday.

P07/IMP/CH1/TIM/6:00/SA+:

All roller shutters are opened at 6:00 on Saturdays.

P08/IMP/CH2/TIM/22:00/SA+:

All roller shutters are closed at 22:00 on Saturdays.

P09/ON/CH1/SS/TH+:

The light on channel 1 switches on every Thursday at sunset.

P10/OFF/CH1/TIM/21:00/TH+:

The light on channel 1 switches off every Thursday at 09:00 p.m.

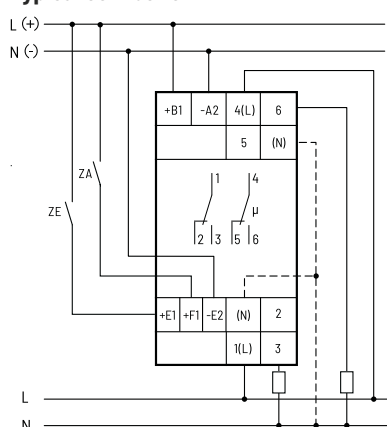
P11/ON/CH1/TIM/5:00/FR+:

The light on channel 1 switches on every Friday at 05:00 a.m.

P12/OFF/CH1/SR/FR+:

The light on channel 1 switches off every Friday at sunrise.

#### Typical connection



When the (N) is connected, the contact switching is active in the zero crossing.

#### longitude (LON) and latitude (LAT) in Germany time zone (GMT): +1, summer time: +2

	LAT	LON
Berlin	52	13
Bremen	53	9
Dresden	51	14
Düsseldorf	51	7
Erfurt	51	11
Hamburg	53	10
Hannover	52	10
Kiel	54	10
Magdeburg	52	12
Mainz	50	8
Munich	48	11
Potsdam	52	13
Saarbrücken	49	7
Schwerin	54	11
Stuttgart	49	9
Wiesbaden	50	8

#### more places on [www.maps.google.de](http://www.maps.google.de)

#### Technical data

Supply voltage	12..230 V UC
Central control voltage	8..230 V UC
Rated switching capacity	10 A/250 V AC
Channel 1, terminals 1/2 (NC) terminals 1/3 (NO)	
Channel 2, terminals 4/5 (NC) Terminals 4/6 (NO)	

#### Manuals and documents in further languages:



<http://eltako.com/redirect/S2U12DBT-UC>



Frequency 2.4 MHz

Transmit power max. 1mW

**Hereby, ELTAKO GmbH declares that the radio equipment type S2U12DBT-UC is in compliance with Directive 2014/53/EU.**

**The full text of the EU declaration of conformity can be accessed via the QR code or the internet address under 'Documents'.**

**Must be kept for later use!**

#### ELTAKO GmbH

D-70736 Fellbach

**Technical Support English:**

☎ +49 711 943 500 25

✉ [technical-support@eltako.de](mailto:technical-support@eltako.de)

[eltako.com](http://eltako.com)

37/2025 Subject to change without notice.