

Capacity enhancer



LUD12-230V

Capacity enhancers LUD12-230V can be connected to the dimmer switches EUD12Z and EUD12M. By this the switching capacity for one lamp will be increased according to the table by 500, 350 or 300 W or alternatively for additional lamps by 500W per each capacity enhancer.

Automatic load detection.

Supply voltage 230V.

Automatic electronic overload protection and over-temperature switch-off.

In a circuit "Increase of capacity with additional lamps" the load type of a LUD12-230V capacity enhancer can deviate from the load type of the universal impulse dimmer switch. Therefore it is possible to mix L-loads and C-loads.

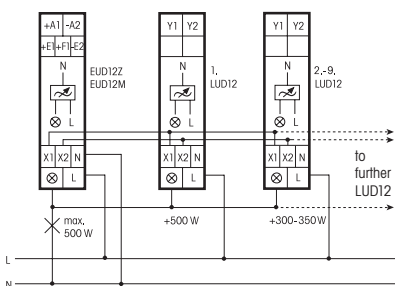
The capacity enhancers LUD12-230V can be connected simultaneously in the circuits "Increase of capacity for one lamp" and "Increase of capacity with additional lamps".

Without N-connection no standby loss, otherwise standby loss 0.3 watt only.

Typical connection

Increase of capacity for one lamp.

LUD12 without N-connection

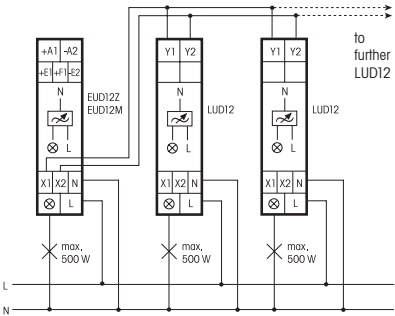


- | | |
|--------------------------------|--------------|
| 1. LUD12 | + 500 W |
| 2.-5. LUD12 | + 350 W each |
| 6.-9. LUD12 | + 300 W each |
| Max. capacity in total 3600 W. | |

Typical connection

Increase of capacity with additional lamps.

LUD12 with N-connection



The strain relief clamps of the terminals must be closed, that means the screws must be tightened for testing the function of the device.

The terminals are open ex works.

Warning!

Only a trained electrician may install this equipment, otherwise there is a risk of fire or electric shock.