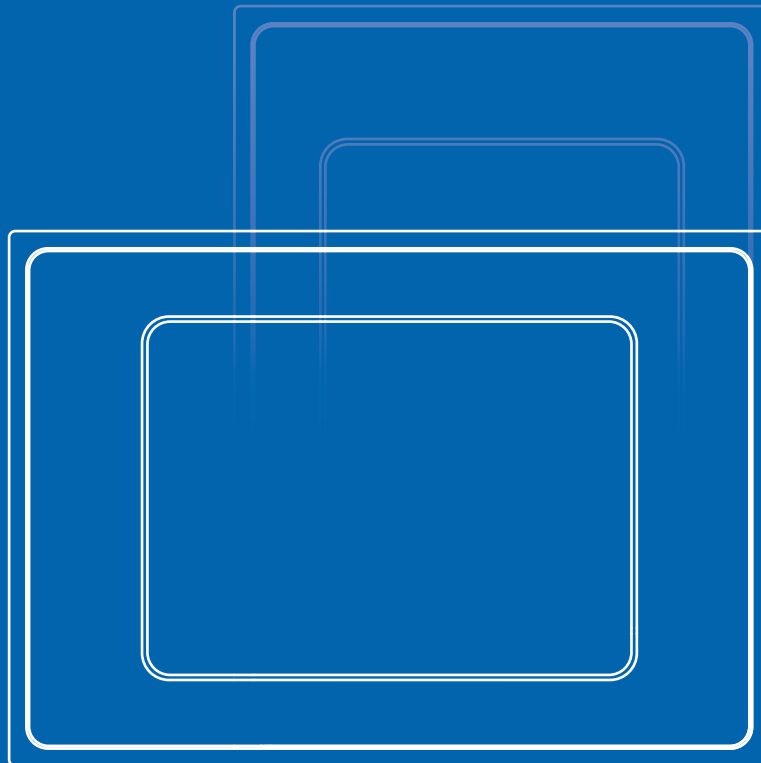


MANUAL

InWall-10



DEUTSCH

ENGLISH

Introduction

Thank you for purchasing Eltako's InWall-10 (in-wall docking station).

This MANUAL is designed to guide you through the hardware installation.

For FAQ's or user manuals in other languages, please visit: www.eltako.com

Scope of supply

The scope of supply consists of a glass cover, an Aluminium frame, a back box, four fixing screws, two rubber band clips, a suction cup and a 110-240 V AC/USB-A power supply adapter.

A PoE AC/USB-A power supply adapter is also available as an option.

The InWall-10 is an in-wall docking station with a charging function to receive permanently mounted Apple iPad 10.2" or 10.5" devices in portrait or landscape format and equipped with a Lightning connector.

If USB-C capable iPads are installed, a USB-C replacement kit is optionally available.

The docking station dimensions are 226.0 x 315.0 x 78.0 mm.

The in-wall cut-out dimensions are 215.0 x 305.0 x 78.0 mm.

Important Information

All connection and installation work must be conducted by certified electricians in compliance with the general rules and directives for electrical installations. The InWall-10 has a smooth and shiny surface which is prone to scratches. Handle with care to avoid damage. We recommend wearing soft cotton wool gloves during installation.

- Select a suitable place to mount the device.
- Do not mount or use the InWall-10 in wet or moist environments.
- The place chosen to mount the device must provide enough recess depth to allow use of the back box and the entry of the leads.
- Mount the device in a place that enables reception of a suitably strong Wi-Fi signal so that the iPad has Internet connectivity when it is docked.

General Information

The INWall-10 can be installed both vertically and horizontally.

It is important that the wall mounting surface is level and smooth, so the back box can be fixed without deformation.

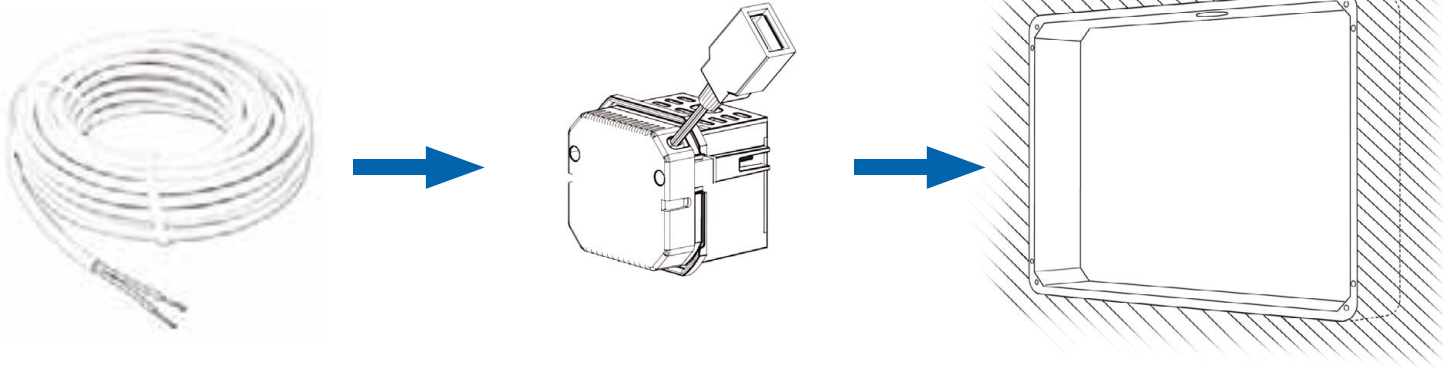
During installation the protective card has to be placed into the back box.

Description of Function

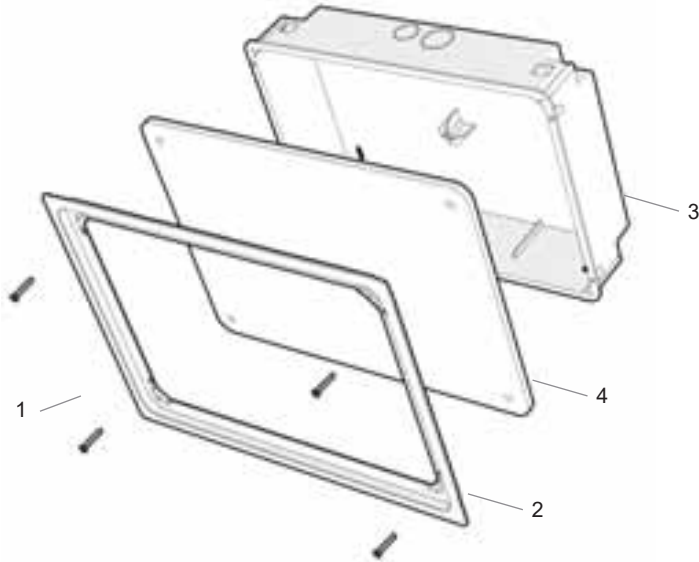
The InWall-10 may only be used with the flush-mounted back box. Operation without the back box will void the warranty.

Preparing the Power Connection - Option 1: High Voltage

Connect the AC/USB converter to a 240V AC power line and put it in the back box of the docking station.



This option requires a certified electrician for installation!



Installing in a brick wall

Before placing the back box in the brick wall, remove the break-out for the cable outlets. Then place the installation protective card in the back box using the fixing screws. Route the power cable through the grommet in the back box. Then place the back box in the wall recess. Make sure that you do not bend or distort the back box. After plastering the back box with the protective card screwed on and flush in the wall, remove the protective card and attach the Aluminium frame.

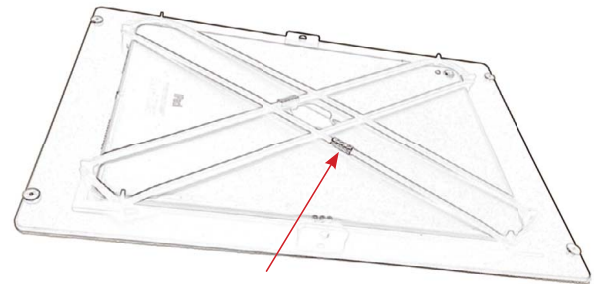
Installing in a cavity wall

Before installing the back box in a cavity wall, remove the break-out for the cable outlets. Mount the protective card as a template and place in a suitably dimensioned recess in the cavity wall. Make sure that the circuit breaker is switched off. Route the power cables through the grommet in the back box. Attach the Aluminium frame to the back box and place in the wall recess. Cut the Aluminium foil covers on the sides of the back box. Route the fastening clips and screw down tight. Make sure that the fastening clips are not bent or distorted.

Installation

To install the iPad, plug the original Apple charging cable to the USB socket of the supplied power supply adapter. Plug the Lightning connector to the iPad. Then attach the iPad using the rubber band clips to the rear of the glass cover. Make sure the clips are in the correct position. Fasten the cover and the iPad to the Aluminium frame by contacting the magnet on the cover with the Aluminium frame. Switch the circuit breaker back on.

If you need to remove the iPad needs from the docking station, use the suction pad.



Rubber Band Clips

Specifications InWall-10

Dimensions InWall-10 (WxHxD)	315 mm x 226 mm x 78 mm / 12.4" x 8.9" x 3.1"
Cut-Out Dimensions InWall-10 (WxHxD)	305 mm x 215 mm x 78 mm / 12.0" x 8.5" x 3.1"
Function Description	Store & charge the iPad
High Voltage Power Supply	Power Supply 100-240 V AC to USB 5VDC/3A
Recommended Accessory (not included)	InWall-10 security-kit (Description on next page)
Operating Temperature	0 - 35°C or 32 - 95°F
Operating Humidity	20% - 90%



Cleaning

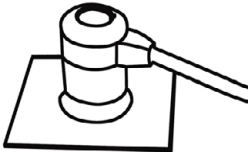
The product requires no special care, but only a regular cleaning of the glass. Do not use any abrasive or harsh cleaners and unplug power supply before cleaning. For general cleaning of the surfaces please use a soft cloth with screen cleaner. If possible frequently change the cloth so that no dust particles get stuck in the towel causing scratches.

Electrical Safety Information

1. Compliance is required with respect to voltage, frequency, and current requirements indicated on the manufacturer's label. Connection to a different power source other than the one specified may result in improper operation, damage to the equipment or pose a fire hazard if the limitations are not followed.
2. There are no operator serviceable parts inside this equipment. Service should be provided only by an authorized service technician.

Protection against Theft

Eltako's InWall-10 security kit secures the iPad through a glue-on plate that's connected to a wires rope. However, the InWall-10 security kit does not provide any protection against theft. Unauthorized and/or forceful removal of the iPad cannot be prevented. Eltako GmbH does not accept any liability for the theft of an iPad!



InWall-10 security-kit
(sold separately)

FCC Compliance Statement

This equipment has been tested and found to comply with the limits for a Class B digital device, pursuant to part 15 of the FCC Rules.

RoHS/WEEE Compliance Statement



This symbol was placed in accordance with the European Union Directive 2011/65/EU on the Waste Electrical and Electronic Equipment (the WEEE Directive). If disposed of within the European Union, this product should be treated and recycled in accordance with the laws of your jurisdiction implementing the WEEE Directive.

Declaration of Conformity

Hereby the Eltako GmbH declares, that this Eltako GmbH device, is in compliance with the essential requirements and other relevant provisions of Directive 2014/35/EU & 2014/30/EU.

Subject to changes at any time. The technical details and specifications do not equate to any form of guarantee. All products mentioned protected by international copyright and patent laws.

Apple and iPad are registered trademarks of Apple Inc. Due to periodic product improvement, all features and specifications are subject to change without notice. The tablet is NOT part of the scope of delivery!

InWall-10

Premium iPad In-Wall Docking Station. Made out of high-quality glass and Aluminium. Horizontal or vertical flush mounting.

Eltako GmbH

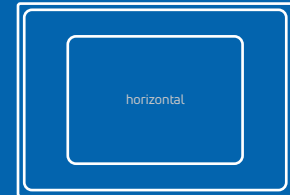
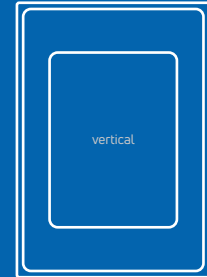
D-70736 Fellbach

Technical Support English:

☎ +49 711 94350025

✉ technical-support@eltako.de

eltako.com



Must be kept for later use!

02/2021 Subject to change without notice.

THE HOME OF INNOVATION.

Eltako