

Wireless sensor



Temperature controller FTR78S

Temperature at mounting location:
-20°C up to +50°C.

Storage temperature: -25°C up to +70°C.

Relative humidity:
annual average value <75%.

Wireless temperature controller using rotary knob for single mounting 78x83x13mm. Power supply with the integrated solar cell or with batteries.

In the as-delivered condition, the energy storage is empty and needs to be charged before use. Either via the solar cell in broad daylight for about 5 hours or by inserting a coin cell 1632 DC 3V (not included in delivery) for about 1 minute.

In normal operation, the power supply is through a coin cell supported by the solar cell. Or only with the solar cell under normal ambient light, in a daily average of at least 200 lux.

The sensor requires no installation depth behind the mounting plate. It can be screwed to any flat surface.

2 screws, 2 rawl plugs and 4 glue dots are enclosed.

Press the LRN button on the rear to **teach-in** an actuator set to learning mode. This sends a teach-in telegram.

The temperature controller sends a message into the Eltako wireless network within 100 seconds when there is a change in the actual or reference temperature of min 0.3°C. If there is no change, a status report is sent every 20 minutes.

Measurement accuracy is approx. 1°C. Use the rotary knob to adjust the **day reference temperature** between +8°C and +30°C.

A **night reduction** must be set at the receiver end.

LRN button

Press the LRN button using a straightened paper clip for at least 0.5 seconds.



Frost protection function

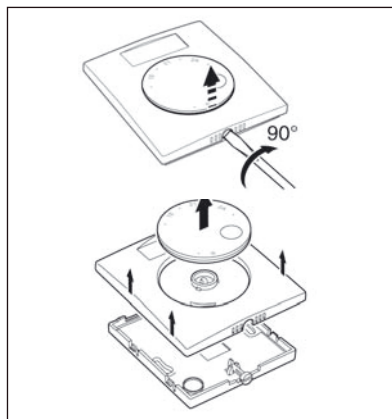


Room sensor set to frost protection (8°C).

Removing/fitting rotary knob and upper casing part

Remove

1. Turn cam screw through 90° using screwdriver.
Raise the rotary knob and remove.
2. Remove upper casing part.

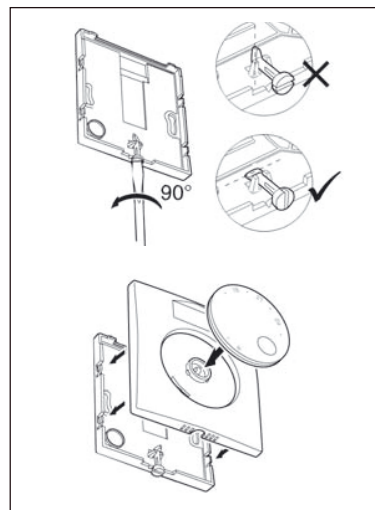


Fit

1. Turn cam screw through 90° using screwdriver. The cam must be aligned in parallel to the base of the lower casing part.

2. Fit upper casing part and rotary knob.

When you fit the rotary knob, make sure it is in the correct position in relation to the axis of rotation!

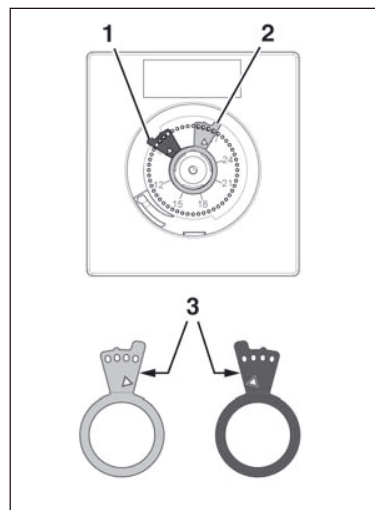


Limiting temperature setting

The setting range of the rotary knob is defined by limiters at the factory to minimum 8°C and maximum 30°C.

By adjusting the limiters, you can limit the minimum and maximum temperature settings.

- ✓ The rotary knob is removed.



- 1 Blue limiter: minimum temperature
- 2 Red limiter: maximum temperature
- 3 Adjustment edge

Inserting battery (optional)

- ✓ Remove the rotary knob and upper casing part.

1. Insert lithium battery 3V Type 1632. Make sure the polarity is correct.
2. Fit upper casing part and rotary knob.

EnOcean wireless

Frequency	868.3MHz
Transmit power	max. 10mW

Hereby, Eltako GmbH declares that the radio equipment type FTR78S is in compliance with Directive 2014/53/EU.

The full text of the EU declaration of conformity is available at the following internet address: eltako.com

Must be kept for later use!

Eltako GmbH

D-70736 Fellbach

Technical Support English:

☎ Michael Thünte +49 176 13582514

✉ thuente@eltako.de

☎ Marc Peter +49 173 3180368

✉ marc.peter@eltako.de

eltako.com