

## Wireless sensor

8-channel plug wireless timer  
FSU8 for german socket outlets

The plug-in housing contains an 8-channel wireless sensor with 95 timer memory locations. Power reserve 30 minutes. Standby loss 1.7 watts.

Six keys are provided to program channel designations, set the clock, make timer settings and assign wireless actuators.

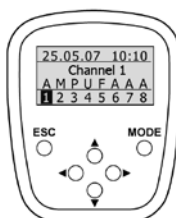
Automatic summertime/wintertime switchover and 5 options: Automatic, Party (1 x intermission of the automatic), Vacation (switch light with random generator), Public Holiday and Sunday function, and Manual operation.

A 1-level repeater is also integrated to lengthen the wireless paths of other sensors as required.

## Technical data

Voltage supply	230V/50Hz
Number of channels	8
Number of memory locations	95
Charging time power reserve	1 hour
Reserve in case of power outage	30 minutes (for programming only)
Clock programming	manually (6 buttons)
Ambient temperature limits	+10°C to +40°C
Protection degree	IP20

## Illustration and control elements



## Mode button:

- Set time switch (press and hold down button)
- Select channel options (press button briefly)

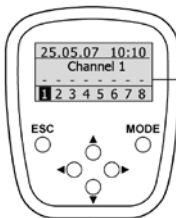
## Esc button:

- General settings (press and hold down button)

Cursor buttons ▲, ▼: Manual control of the receiver

Cursor buttons ◀, ▶: Select channel 1-8

## Initialisation and channel options



When the device is not initialised, the power reserve time (30 mins.) only allows for programming. No radio signal can be transmitted.

To activate and use all functions, connect to an electrical outlet and wait for initialisation to complete (approx. 2 minutes).

The device has been fully initialised when the channel options are shown in the display.

Select channel option: Press briefly mode button

Select channel 1-8: Press cursor buttons ◀, ▶

Any receiver can always be controlled manually via the buttons ▲, ▼ independent of the channel options.

## A = Automatic

Time switch function activated.

## M = Manual

Time switch function deactivated (only manual operation).

## P = Party

In automatic operation mode, the next switching time is not executed.

## U = Vacation

All switching times are randomly increased by up to 15 minutes.

## F = Holiday

Only the switching times programmed for Sundays are activated.

## Teach-in channel 1-8 to receiver or delete

- The timer FSU8 must be connected to an electrical outlet and fully initialised (approx. 2 minutes).
- Select channel 1-8 via the ◀, ▶ buttons.
- Activate receiver learn mode.
- To teach-in/delete the channel, press the ▲ or ▼ button once.

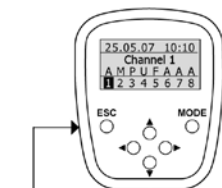
## Switching functions of the timer FSU8 in comparison to functions on the wireless switches:

Timer FSU8	Wireless switch
Button ▲, time switch OFF	Button ○
Button ▼, time switch ON	Button I
Button ▲, shutter timer UP	Button UP Δ
Button ▼, shutter timer DOWN	Button DOWN ▽

## Repeater (1-level):

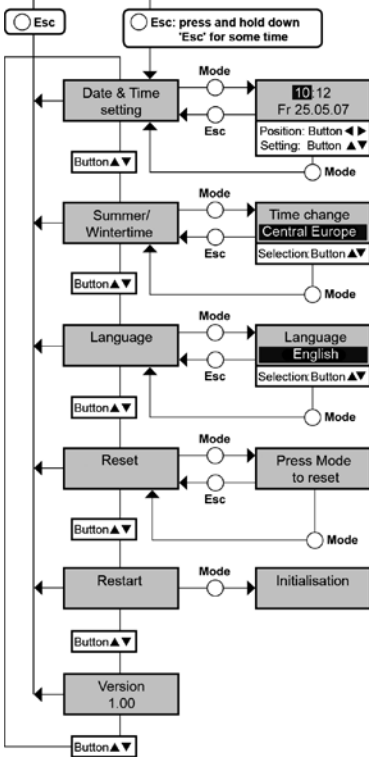
The repeater function of the timer FSU8 is automatic. It is used to increase the range between transmitters and receivers.

## General settings



Mode button: Activate menu item or apply settings.

Esc button: Close menu item and discard changes.

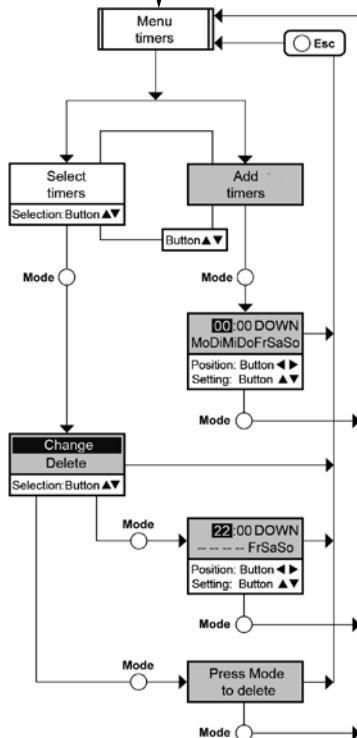
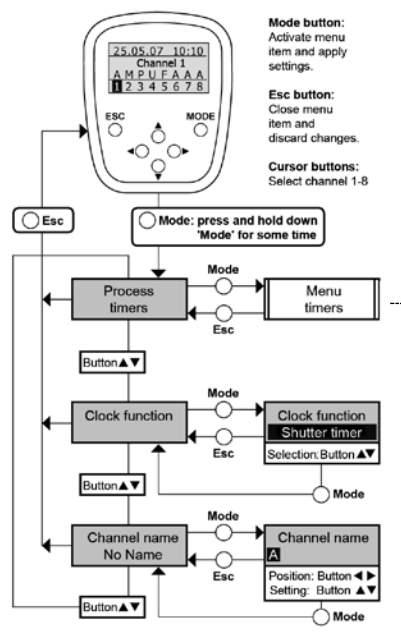


The menu item "Reset" deletes all programmed memory locations.

The menu item "Restart" initialises the timer FSU8.

## Timer settings and options

The 8 channels allow the setting of 8 timers with a total of 95 memory locations. They are processed as described below in the display "Process Timers".



The menu item clock function allows the choice of a timer as a shutter timer or a timer.

The charging time of the power reserve (30min) is 1 hour.

## Important reminder!

This electrical equipment may only be installed by skilled electricians otherwise fire hazard or danger of electric shock exists!