

## Wireless actuator



## Multifunction Time Relay

### FMZ61-230V

1 NO contact potential free 10A/250V AC, incandescent lamps 2000 Watt \*.

Only 0.8 watt standby loss.

For installation.

45 mm long, 55 mm wide, 33 mm deep.

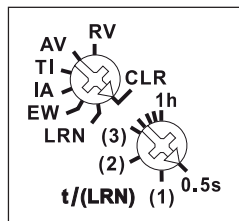
Supply voltage and if necessary control voltage locally 230V.

**This wireless actuator features state-of-the-art hybrid technology that we developed: we combined the wear-free receiver and evaluation electronics with a bistable relay.**

By using a bistable relay coil power loss and heating is avoided even in the on mode. After installation, wait for short automatic synchronisation before the switched consumer is connected to the mains.

In addition to the wireless control input via an internal antenna, this wireless actuator can also be controlled locally by a conventional 230V control switch if fitted previously. Glow lamp current is not permitted.

### Function rotary switches



With the top rotary switch in the setting LRN up to 35 wireless pushbuttons can be assigned therefrom one or more central control pushbuttons. In addition, wireless window/door contacts (FTK) may have a NO or NC function when the window is open. If a direction switch is taught-in, a function (e.g. TI) can be started using the top switch (START) and stopped with the bottom switch (STOP). The required function of the wireless actuator can then be selected:

RV = off delay

AV = operate delay

TI = clock generator starting with impulse

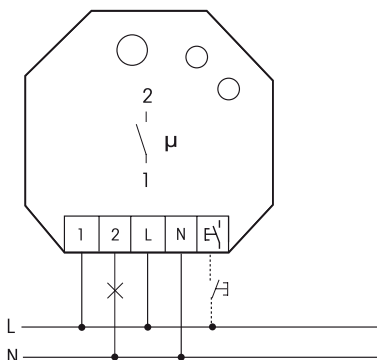
IA = impulse controlled operate delay

EW = fleeting NO contact

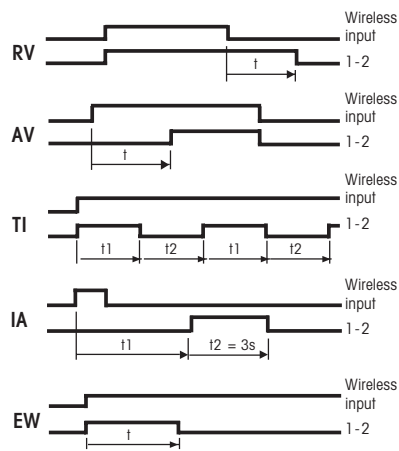
The bottom rotary switch sets the time from 0.5 to 60 minutes.

The LED below the upper function rotary switch performs during the teach-in process according to the operation manual. It shows control commands by short flickering during operation.

### Typical connection



### Description of functions



### Teaching-in Wireless Sensors in Wireless Actuators

**All sensors must be taught-in in actuators so that they can detect and execute their commands.**

#### Teaching-in actuator FMZ61

The teach-in memory is empty on delivery from the factory. If you are unsure whether the teach-in memory contains something or not, **you must first clear the memory contents completely:**

Set the upper rotary switch to CLR. The LED flashes at a high rate. Within the next 10 seconds, turn the lower rotary switch three times to the right stop (turn clockwise) and then turn back away from the stop. The LED stops flashing and goes out after 2 seconds. All taught-in sensors or sensors of a channel are cleared.

**Clear individual taught-in sensors** in the same way as in the teach-in procedure, except that you set the upper rotary switch to CLR instead of LRN, and operate the sensor. The LED previously flashing at a high rate goes out.

#### Teaching-in sensors

1. Set the lower rotary switch to the required teach-in function:

The flashing of the LED as soon as a new setting range has been reached when turning the rotary switch helps to find the desired position reliably.

**Right stop 0.5 s** = teach-in FTK as NC contact;

**(1)** = teach-in 'central OFF';

**(2)** = teach-in universal switch;

**(3)** = teach-in FTK as NO contact.

**Left stop 1 h** = teach-in direction switches;

Direction switches are completely taught-in automatically when operating the top or bottom pushbutton. The side on which the pushbutton is first operated is defined for START and the other side for STOP.

2. Set the upper rotary switch to LRN. The LED flashes at a low rate.

3. Operate the sensor to be taught-in. The LED goes out.

The base plate of the wireless window/door contact FTK must be removed in order to conduct a teach-in. Press the red button to initiate a teach-in.

To teach-in further sensors, turn the upper rotary switch briefly away from position LRN. Continue the procedure from pos 1.

After teach-in, set the rotary switches of the actuators to the required function.



When an actuator is ready for teach-in (the LED flashes at a low rate), the very next incoming signal is taught-in. Therefore, make absolutely sure that you do not activate any other sensors during the teach-in phase.

### Important reminder!

**This electrical equipment may only be installed by skilled electricians otherwise fire hazard or danger of electric shock exists!**