



Wireless sensors

Mini pushbuttons

FMT55/2, FMT55/4

Temperature at mounting location:

-20°C up to +50°C.

Storage temperature: -25°C up to +70°C.

Relative humidity:

annual average value <75%.

FMT55/2:

Wireless mini pushbutton, 55 x 55 mm external dimensions, 15 mm high, with rocker. Generates the power for wireless telegrams itself when the button is pressed, therefore there is no connecting wire and no standby loss.

The scope of supply comprises the frame R55, one rocker W55, the wireless module and one adhesive foil.

FMT55/4:

Wireless mini pushbutton, 55 x 55 mm external dimensions, 15 mm high, with double rocker. Generates the power for wireless telegrams itself when the button is pressed, therefore there is no connecting wire and no standby loss.


The scope of supply comprises the frame R55, one double rocker DW55, the wireless module and one adhesive foil.

Wireless pushbuttons with one rocker can transmit two evaluable signals: press rocker up and press rocker down.

Wireless pushbuttons with double rocker can transmit four evaluable signals: press two rockers up or down.

The mounting base can be screwed onto a flat surface or glued to the wall, on glass or on furniture using the enclosed adhesive foil.

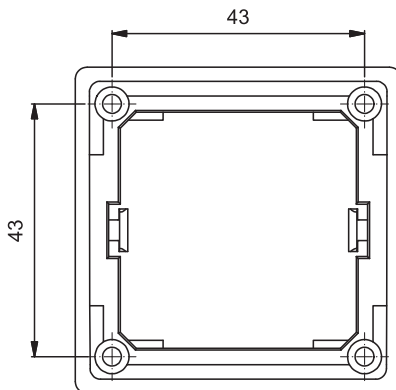
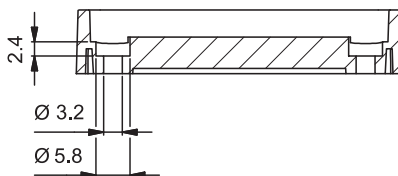
Before screwing on the device, press the wireless module and rocker from the rear out of the frame. Afterwards screw on the frame with the right and left safety latches and click the *wireless module with rocker* – the marking O on the back is always up – into place.

The wireless module integrated in the wireless pushbuttons can be taught-in encrypted in all encryptable actuators of the 61 Series and Series 71 as well as the FAM14. This requires the FTWV wireless pushbutton encryption rocker. Encryptable actuators bear the pictogram .

Teaching-in wireless sensors in wireless actuators

All sensors must be taught-in in the actuators so that they can detect and execute commands.

The teach-in process is described in the operation manual of the actuators.



EnOcean wireless

Frequency	868.3 MHz
Transmit power	max. 10 mW

Hereby, Eltako GmbH declares that the radio equipment type FMT55/2, FMT55/4 is in compliance with Directive 2014/53/EU.

The full text of the EU declaration of conformity is available at the following internet address: eltako.com

Must be kept for later use!


Eltako GmbH

D-70736 Fellbach

Technical Support English:

 Michael Thünte +49 176 13582514

 thuente@eltako.de

 Marc Peter +49 173 3180368

 marc.peter@eltako.de

eltako.com