



30 000 461-1



Wireless sensor
Wireless humidity temperature
sensor FFT60SB

Temperature at mounting location:
-20°C up to +50°C.
Storage temperature: -25°C up to +70°C.
Relative humidity:
annual average value <75%.

**Wireless humidity temperature sensor
pure white with solar cell and battery
(lifetime 3-5 years), 60x46x30 mm. Smart
Home sensor.**

The wireless humidity temperature sensor
measures constantly the relative humidity
between 0 and 100% (+-5%) and the tempe-
rature between -20°C and +60°C (+-0,5°C).
It sends a data telegram within 2 minutes if
changed in the Eltako building radio.

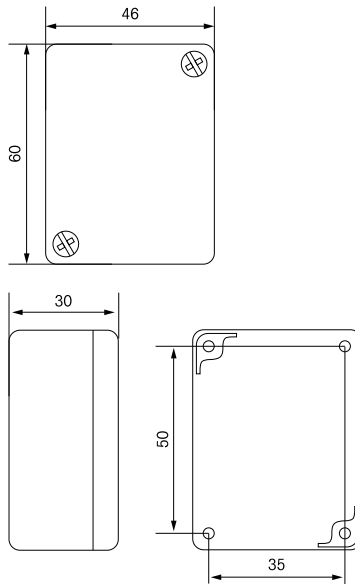
If there is no change, a status telegram is
sent every 10 minutes.

Adhesive foil mounting, an adhesive film is
enclosed.

The power supply is an internal button cell
CR2032. The battery is supported by the solar
cell. This will prolong the life of the battery
if it is sufficiently bright. To change the battery,
the housing needs to be opened. This is also
necessary to activate the battery supply by
pulling out an insulating strip.

On delivery, the EEP: A5-04-02 is active, the
internal slide switch is on A5-04-02. This
slide switch can be used to switch to the
EEP: A5-04-03 by opening the housing and
setting the slide switch to A5-04-03.

To teach-in in an actuator ready to be
taught-in, press the LRN button inside,
or let the housing closed and hold the
enclosed magnet to the side wall marked
with ■ on the sensor.



Technical data

Protection degree IP54

**The crossed-out waste container indicates
that batteries may not be disposed with
other household or commercial waste.
Batteries can be returned free of charge to
the retail outlet after use.**



**Attention: Danger of explosion if
battery is replaced improperly.
Only replace it by an equivalent
type!**

EEP: A5-04-02
teach-in telegram: 0x10100D87
Data_byte2 = humidity 0..100% (corresponds
0..250)
Data_byte1 = temperature -20°C..+60°C
(corresponds 0..250)

EEP: A5-04-03
teach-in telegram: 0x10180D80
Data_byte3 = humidity 0..100% (corresponds
0..255)
Data_byte2 and 1 = temperature
-20°C..+60°C (corresponds 0..1023)



enocean®

THE UNIQUE WIRELESS **PROFESSIONAL
SMART HOME STANDARD**

Frequency 868.3 MHz
Transmit power max. 10 mW

**Hereby, Eltako GmbH declares that the radio
equipment type FFT60SB is in compliance
with Directive 2014/53/EU.**

**The full text of the EU declaration of
conformity is available at the following
internet address: eltako.com**

Must be kept for later use!

Eltako GmbH

D-70736 Fellbach

Technical Support English:

+49 711 94350025

technical-support@eltako.de

eltako.com

39/2020 Subject to change without notice.