

Wireless outdoor transmitter
module FASM60-UC



Only skilled electricians may install this electrical equipment otherwise there is the risk of fire or electric shock!

Temperature at mounting location:
-20°C up to +50°C.
Storage temperature: -25°C up to +70°C.
Relative humidity:
annual average value <75%.

valid for devices from production week 48/16 (see bottom side of housing)

Wireless outdoor transmitter module 2 channels. LxWxH: 60x46x30mm. With internal antenna. No standby loss.

The wireless transmitter module FASM60-UC has two channels and, like a wireless pushbutton, it can transmit wireless telegrams into the Eltako wireless building.

A1 initiates a wireless telegram like 'press rocker above' of a wireless pushbutton with one rocker and A3 like 'press rocker below'.

Several wireless transmitter modules must not be switched at the same time.

There is a screw joint M12 at the bottom for the waterproof connection IP54. Connection to a 5-fold inside terminal for the control input +A1/-A2 and +A3/-A2. Loosen the 2 screws on the front and remove lid.

If the terminals A1 and A3 are connected with a bridge, the wireless telegram is transmitted from A3, as long as the control voltage is applied, e.g. for central commands with priority.

The universal control voltage processes control commands of 8 to 253V AC or 10 to 230V DC with periods lasting min. 0.2 seconds.

Max. parallel capacitance of the single control leads (separately installed) at 230V 3nF, this corresponds to a length of approx. 10 meters. Parallel control leads (jointly installed) at 230V 0.5nF, approx. 2 meters. Max. parallel capacitance (approx. length) of control lead at 12-24V UC 0.03µF, this corresponds to a length of approx. 100 meters.

No permanent power supply required, therefore no standby losses.

From production week 48/16, the wireless telegrams can be encrypted.

The internal rotary switch activates or deactivates the encryption mode, and is in operation in the center position.

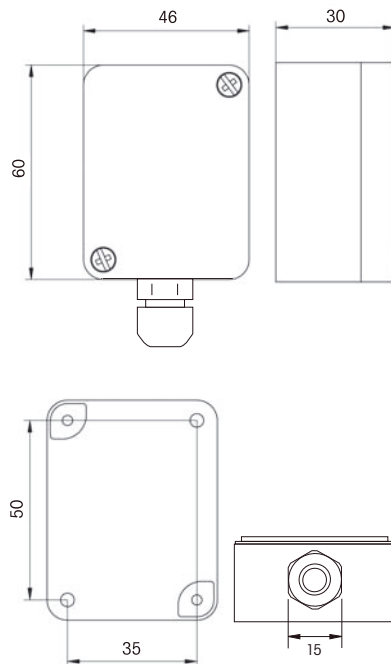
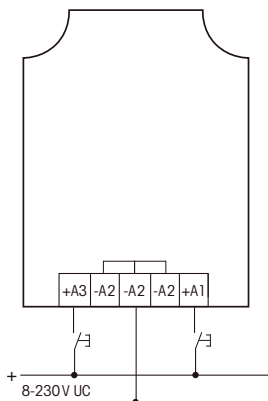
Encryption activation:

Turn the rotary switch to the right end and tap one time.

Encryption deactivation:

Turn the rotary switch to the left end and tap one time.

Typical connection



EnOcean wireless

| | |
|----------------|------------|
| Frequency | 868.3 MHz |
| Transmit power | max. 10 mW |

Hereby, Eltako GmbH declares that the radio equipment type FASM60-UC is in compliance with Directive 2014/53/EU. The full text of the EU declaration of conformity is available at the following internet address: eltako.com

Must be kept for later use!

Eltako GmbH

D-70736 Fellbach

Technical Support English:

Michael Thünte +49 176 13582514

thunte@eltako.de

Marc Peter +49 173 3180368

marc.peter@eltako.de

eltako.com