

Wireless antenna module CE

FAM12RS232

Wireless antenna module for the Eltako RS485 bus RS232-Gateway. Only 0.4 watt standby loss.

Modular device for DIN-EN 60715 TH35 rail mounting.

1 module = 18mm wide, 58mm deep.

The wireless antenna module FAM12RS232 receives and tests all signals from wireless transmitters and repeaters within its receiving range. These are transmitted via an RS485 interface to RS485 bus switching actuators connected in series:

Up to 128 actuators can be connected to the RS485 bus (terminals RSA/RSB).

The upper LED shows all perceived wireless commands in the receiving range by short flickering.

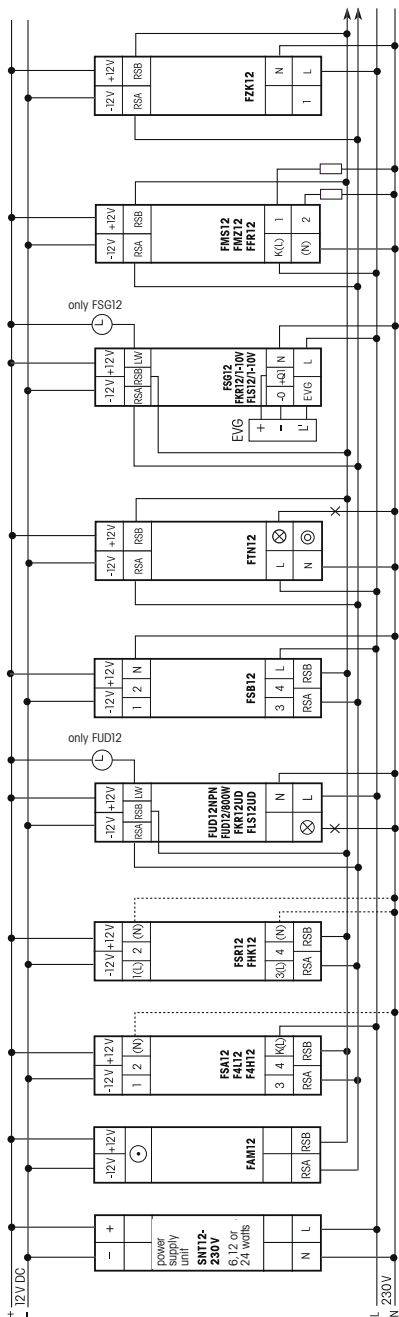
If the lines of the RS485 bus are longer than 2m, a terminal resistor of approx. 220 ohms must be connected **to the last actuator** under the terminal RSA/RSB.

The enclosed small antenna can be replaced with the wireless antenna FA250 with magnetic base and 250cm cable.

Via the terminals TxD, GND and RxD RS232 signals can be feeded into the Eltako bus RS485 as well as wireless signals can be evaluated through the RS232 interface.

Typical connection

wireless antenna module with RS485 bus
wireless switching actuators connected in series



Important Note!

Only skilled electricians may install this electrical equipment otherwise there is the risk of fire or electric shock!