

Wireless antenna module FAM12

Wireless antenna module for the Eltako RS485 bus with exchangeable antenna.

Only 0.7 watt standby loss.

If required, a wireless antenna FA250 or FA200 can be connected.

Modular device for DIN-EN 60715 TH35 rail mounting. 1 module = 18 mm wide, 58 mm deep.

The wireless antenna module FAM12 receives and tests all signals from wireless transmitters and repeaters within its receiving range.

These are transmitted via an RS485 interface to RS485 bus switching actuators connected in series:

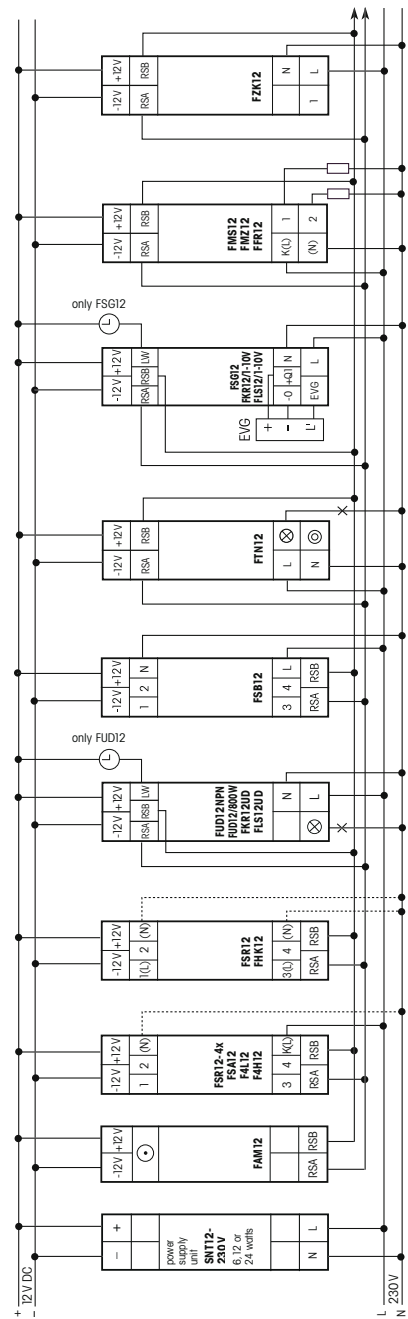
Up to 128 actuators can be connected to the Eltako RS485 bus (terminals RSA/RSB).

The upper LED shows all perceived wireless commands in the receiving range by short flickering.

If the lines of the RS485 bus are longer than 2 m, a terminal resistor of approx. 220 ohms must be connected to **the last actuator** under the terminal RSA/RSB.

Typical connection

Wireless antenna module with wireless switching actuators connected in series



Important note!

Only skilled electricians may install this electrical equipment otherwise there is the risk of fire or electric shock.