

Wireless sensor



Outdoor brightness sensor FAH60

**Wireless outdoor brightness sensor,
60x46 mm, 30 mm deep.**

The electronic requires no intrinsic power supply, so there is no standby loss.

The wireless outdoor brightness sensor FAH60 powered by a solar module covers the range from 0 to 30000 Lux. From approx. 300 Lux, it transmits a wireless telegram to the Eltako wireless network every time there is a brightness change of more than approx. 500 Lux within approx. 10 seconds. If the brightness does not change, a control signal is sent approx. every 100 seconds.

New actuators FSR and FSB can cover the range from 0 to approx. 30 Lux using the twilight switch function. A wireless telegram is sent about every 100 seconds within this range.

LRN function button:

Press the LRN button to teach in or clear the FAH60 in a wireless actuator according to the teach-in chart. This button is located on the back of the electronics behind the transparent upper part of the device.

To open, loosen the two screws on the front.

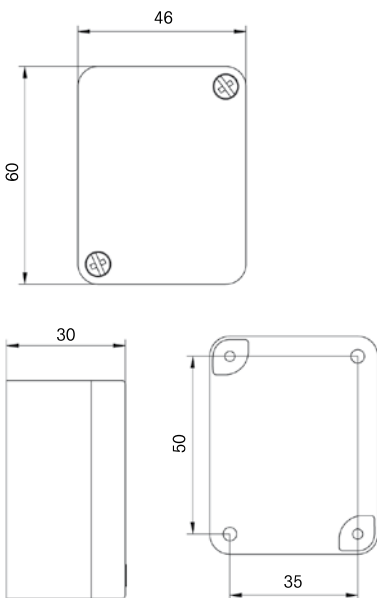
Solar-powered energy accumulator:

Before startup the energy accumulator must be charged. The charge time is approx. 5 hours at 400 Lux.

The protection class is IP54, the allowable ambient temperature is -20°C to $+55^{\circ}\text{C}$.

For screw mounting or attachment with adhesive. The scope of supply comprises an adhesive foil.

Shading elements may not cover brightness sensors. Keep the cover of the solar cells clean!


Technical data

Protection degree	IP 54
Operating temperature	$-20^{\circ}\text{C}/+55^{\circ}\text{C}$

Important Note!

This electrical equipment may only be installed by skilled electricians.