

Three-phase energy meter DSZ14DRS-3x65A
with display and MID approval



Only skilled electricians may install this electrical equipment otherwise there is the risk of fire or electric shock!

Temperature at mounting location: -25°C up to +55°C.
Storage temperature: -25°C up to +70°C.
Relative humidity: annual average value <75%.

Three-phase energy meter.

Maximum current 3x65A. Standby loss 0.4 watt per path only.

Modulair device for DIN-EN 60715 TH35 rail mounting in distribution cabinets with IP 51 protection class.

4 modules = 70 mm wide and 58 mm deep.

Accuracy class B (1%). With RS485 interface.

It measures active energy by means of the current between input and output. The internal power consumption of 0.4 watt active power per path is neither metered nor indicated.

1, 2 or 3 phase conductors with max. currents up to 65A can be connected. The inrush current is 40mA.

The terminals tL1 and N must always be connected.

Connection to the Eltako RS485 bus by means of a 2-wire screened bus line (e.g. telephone line). The meter reading and the momentary capacity are transferred to the bus – e.g. for transfer to an external computer of the GFVS 3.0 Software – and is also transferred to the wireless network via the FAM14. Display also using FEA55D and FEA55LED.

The 7 segment LC display is also legible twice within a period of 2 weeks without power supply.

Power consumption is indicated using a LED next to the display flashing 1000 times per kWh.

Designed as standard for using as double-tariff meter: Switch over to a second tariff by applying 230V to terminals E1/E2.

On the right next to the display are the keys MODE and SELECT. Press them to scroll through the menu. First the **background lighting** switches on. The display then shows the total active energy per tariff, the active energy of the resettable memory RS1 or RS2 as well as the instantaneous values of consumption, voltage and current per phase.

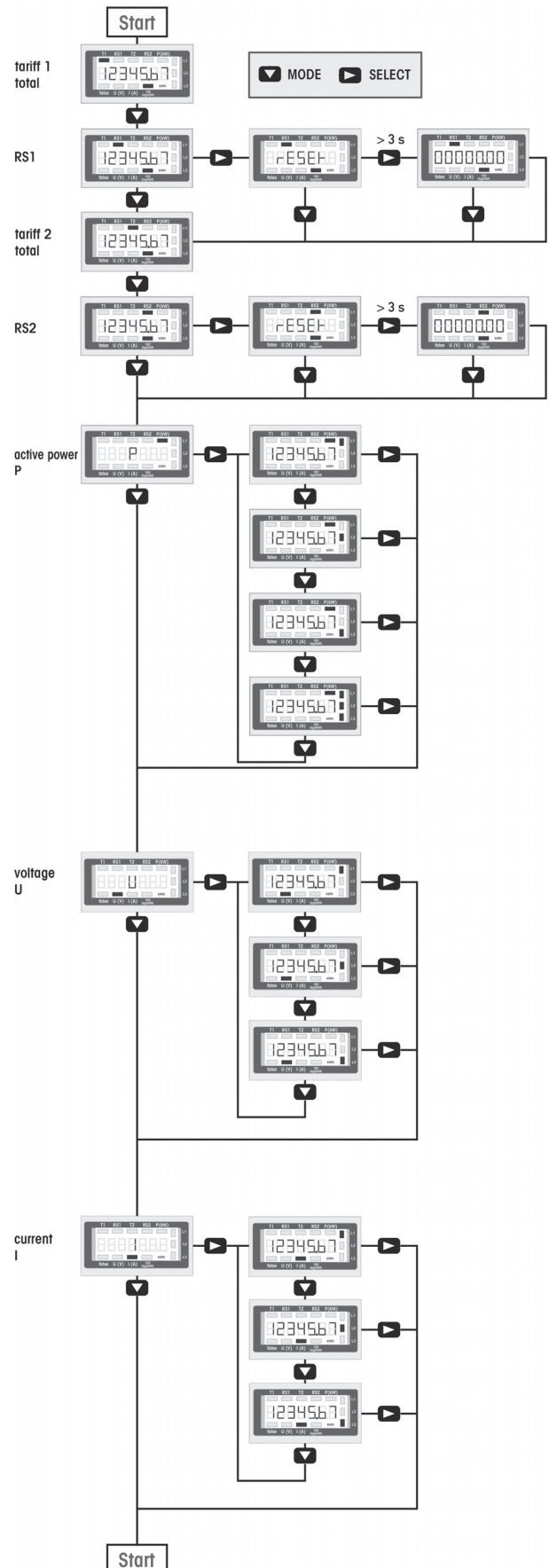
Error message (false)

When the phase conductor is missing or the current direction is wrong 'false' and the corresponding phase conductor are indicated on the display.

Assign device address for the DSZ14:

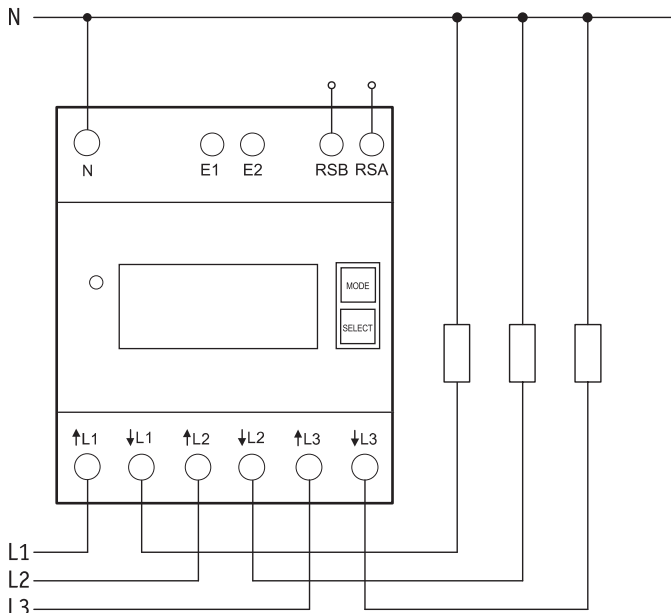
Normal display: If the SELECT button is pressed for more than 3 seconds, the device address is displayed. Now turn the rotary switch on the FAM14 within 60 seconds to position 1, its lower LED flashes red. Once the address of the FAM14 has been assigned, its lower LED flashes green for 5 seconds and the screen returns to normal display on the DSZ14.

Menu guidance



Typical connection:

4-wire-connection 3x230/400V

**Technical data**

Rated voltage, extended range	3x230/400V, 50 Hz, -20%/+15%
Reference current I_{ref} (Limiting current I_{max})	3x10 (65)A
Internal consumption active power	0.4 W per path
Display	LC display 7 digits, therefrom 1 or 2 digits after the decimal point
Accuracy class $\pm 1\%$	B
Inrush current according to accuracy class B	40mA
Operating temperature	-25/ +55°C
Interface	RS485 bus Series 14
Terminal cover sealable	Terminal cover claps
Protection degree	IP50 for mounting in distribution cabins with protection class IP51
Maximum conductor cross section	N and L terminals 16 mm ² , RSA/RSB terminals 6 mm ²
EC type examination certificate	CH-MI003-08009

EC DECLARATION OF CONFORMITY

File name	FQKZ115
Product	Calibrated electronic RS485 three-phase energy meter with display and MID approval
Type designation	DSZ14DRS-3x65A
EC type examination certificate	CH-MI003-08009
Eltako GmbH, D - 70736 Fellbach, herewith declares, on their own responsibility that the energy meter which this certificate refers to, is in accordance with the following standards:	
EN 50470 parts 1 and 3: October 2006 (electronic meters)	
Directive 2004/22/EG of the European parliament and of the Council on measuring instruments	
<ul style="list-style-type: none"> • Annex I, essential requirements • Annex MI-003, active electrical energy meters 	
Conformity assessment body	Certification body METAS-Cert, no. 1259 CH-3003 Bern-Wabern
Issuer	Eltako GmbH Hofener Straße 54, D-70736 Fellbach
Place, Date	Fellbach, 27. september 2012
signed	Ulrich Ziegler, General Manager

Must be kept for later use!

We recommend the housing for operating instructions GBA14.

Eltako GmbH

D-70736 Fellbach

☎ +49 711 94350000

www.eltako.com