

Three-phase energy meter DSZ12B-3x65A and double-tariff CE three-phase energy meter DSZ12B-T2-3x65A with MID approval

Maximum current 3x65A. Standby loss 0.5 watt per path only.

Modulair device for DIN-EN 60715 TH35 rail mounting.
 4 modules = 70mm wide and 58mm deep.
 Accuracy class B (1%). With SO interface as standard.

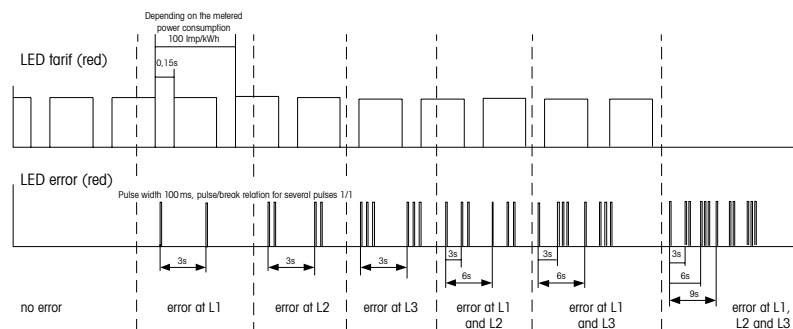
It measures active energy by means of the current between input and output.
 The internal power consumption of 0.5 watt active power per path is neither metered nor indicated.

1, 2 or 3 phase conductors with max. currents up to 65A can be connected.
 The inrush current is 40 mA.
 The registers can be read anytime without power supply.

The N terminal **must** always be connected.

DSZ12B-T2-3x65A: **2 registers HT (high tariff) and NT (low tariff)**. The tariff is selected at 230V by terminals E1/E2.

Two or three red LEDs will show a power consumption or a possible wrong connection:



Technical Data

Rated voltage, extended range	3x230/400V, 50 Hz, -20%/+15%
Reference current I_{ref} (Limiting current I_{max})	10 (65)A
Internal consumption, active power	0.5 W per path
Reading active power	Drum type register with 6 digits for kWh and 1 decimal digit; DSZ12B-T2 with one drum type register per tariff
Accuracy class $\pm 1\%$	B
Inrush current according to accuracy class B	40 mA
Ambient temperature limits	-25/+55°C
Interface	Pulse interface SO according to DIN EN 62053-31, potential free by opto-coupler, max. 30V DC/20mA and min. 5V DC, impedance 100 ohms, pulse length 50ms, 100Imp./kWh
Protection degree	IP50 for mounting in distribution cabins with protection class IP51

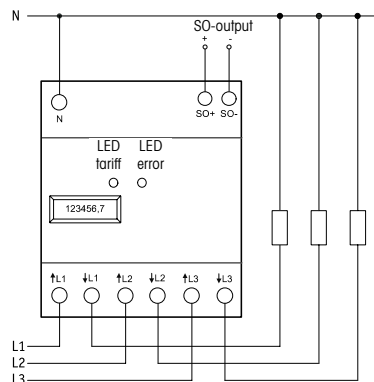
Maximum conductor cross section

N and L terminals 16mm²,
 SO terminals 6mm²

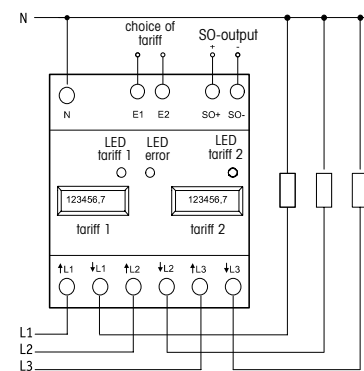
EC type examination certificate

DE-07-MI003-PTB016

Typical connections DSZ12B-3x65A



DSZ12B-T2-3x65A



Declaration of Conformity CE

Eltako GmbH, D-70736 Fellbach, herewith declares, on their own responsibility that the energy meters:

- DSZ12B-3x65A (1 tariff)
- DSZ12B-T2-3x65A (2 tariff)

which this certificate refers to, are in accordance with the following standards:

- EN 50470 parts 1 and 2 (electromechanical meters)
- EN 50470 parts 1 and 3 (electronic meters).
October 2006
- Directive 2004/22/EG of the European parliament and of the Council on measuring instruments
 - Annex I, essential requirements
 - Annex MI-003, active electrical energy meters

See marking on device for the year of issue of the declaration of conformity.

Example: Declaration of conformity for 2009 **CE** M09 1259

ELTAKO GmbH Switchgears

Hofener Straße 54, D-70736 Fellbach
 info@eltako.com, www.eltako.com

Important reminder!

This electrical equipment may only be installed by skilled electricians otherwise fire hazard or danger of electric shock exists!