



30 065 897 - 1

Eltako**German Socket (Type F) In E-Design65****DSS65E+USBA+C-wg**

Only skilled electricians may install this electrical equipment otherwise there is the risk of fire or electric shock!

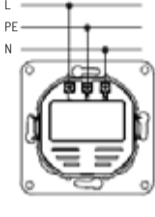
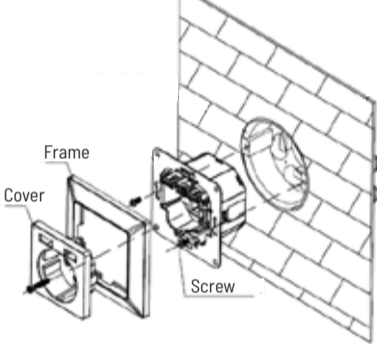
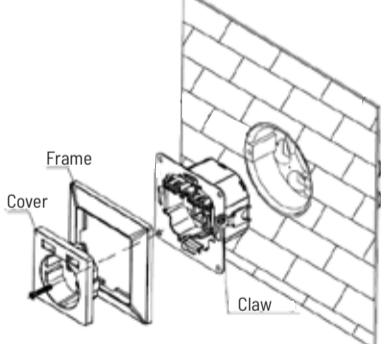
Temperature at mounting location:
-20°C up to +50°C.
Storage temperature: -25°C up to +70°C.
Relative humidity:
annual average value <75%.

German Socket (Type F) DSS with socket outlet front and USB charging ports in E-Design65, 84x84 mm external dimensions. Pure white glossy.

With increased shock protection. The socket base has screw terminals.

Installation depth 38 mm. Integrated USB power supply unit 5 V DC/2.8 A with short circuit and overload protection. Intelligent parallel use of both USB ports, 1 USB-A and USB-C.

Installation depth 38 mm. Integrated USB power supply unit 5 V DC/2.8 A with short circuit and overload protection. Intelligent parallel use of both USB ports, 1 USB-A and USB-C.

Typical connection:**Mounting with screws:****Mounting with claws:****Technical data**

Socket	16 A/ 250 V~
Screw terminals conductor cross section	1,5-2,5 mm ²
Protection degree	IP20
USBA+C	5 V/ 2,8 A
Stand-by lost	0,1W

Must be kept for later use!

Eltako GmbH

D-70736 Fellbach

Technical Support English:

+49 711 94350025

technical-support@eltako.de
eltako.com

38/2021 Subject to change without notice.