



30 065 896 - 1

## German Socket (Type F) In E-Design65

### DSS65E+2xUSBA-wg

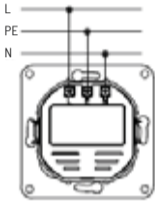
**Only skilled electricians may install this electrical equipment otherwise there is the risk of fire or electric shock!**

Temperature at mounting location:  
-20°C up to +50°C.  
Storage temperature: -25°C up to +70°C.  
Relative humidity:  
annual average value <75%.

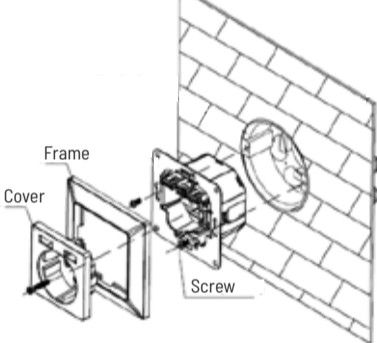
**German Socket (Type F) DSS with socket outlet front and USB charging ports in E-Design65, 84x84 mm external dimensions. Pure white glossy.**

**With increased shock protection. The socket base has screw terminals. Installation depth 38 mm. Integrated USB power supply unit 5 V DC/2.1 A with short circuit and overload protection. Intelligent parallel use of both USB ports, 2 USB-A.**

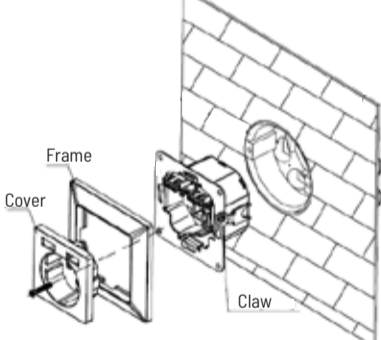
#### Typical connection:



#### Mounting with screws:



#### Mounting with claws:



#### Technical data

Socket	16 A/ 250 V~
Screw terminals conductor cross section	1,5-2,5 mm <sup>2</sup>
Protection degree	IP20
2x USBA	5 V/ 2,1 A
Stand-by lost	0,1 W

**Must be kept for later use!**

#### Eltako GmbH

D-70736 Fellbach

#### Technical Support English:

+49 711 94350025

technical-support@eltako.de

eltako.com