



30 055 896 - 1



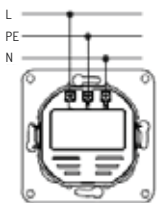
**German Socket (Type F) In E-Design55
DSS55E+2xUSBA-wg**

Only skilled electricians may install this electrical equipment otherwise there is the risk of fire or electric shock!

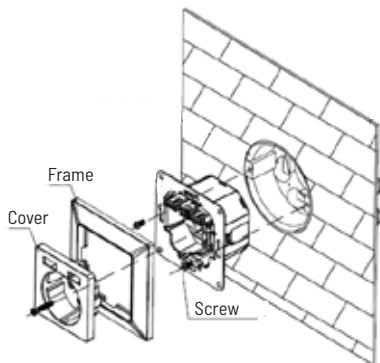
Temperature at mounting location:
-20°C up to +50°C.
Storage temperature: -25°C up to +70°C.
Relative humidity:
annual average value <75%.

German Socket (Type F) DSS with socket outlet front and USB charging ports in E-Design55, 80x80 mm external dimensions, internal frame dimensions 55x55 mm. Pure white glossy. With increased shock protection. The socket base has screw terminals. Installation depth 38 mm. Integrated USB power supply unit 5VDC/2.1 A with short circuit and overload protection. Intelligent parallel use of both USB ports, 2 USB-A.

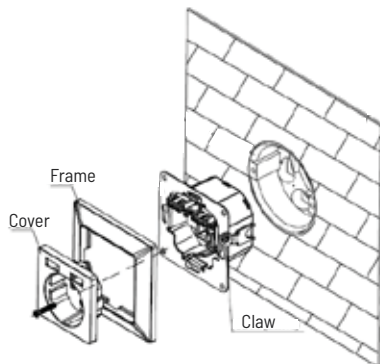
Typical connection:



Mounting with screws:



Mounting with claws:



Technical data

Socket	16 A/ 250 V~
Screw terminals conductor cross section	1,5-2,5 mm ²
Protection degree	IP20
2x USB A	5 V/ 2,1 A
Stand-by loss	0,1 W

Must be kept for later use!

Eltako GmbH
D-70736 Fellbach
Technical Support English:
☎ +49 711 94350025
✉ technical-support@eltako.de
eltako.com

04/2021 Subject to change without notice.