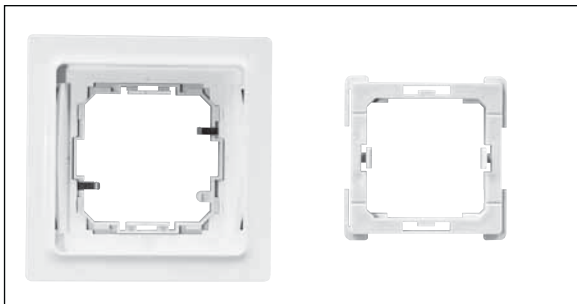


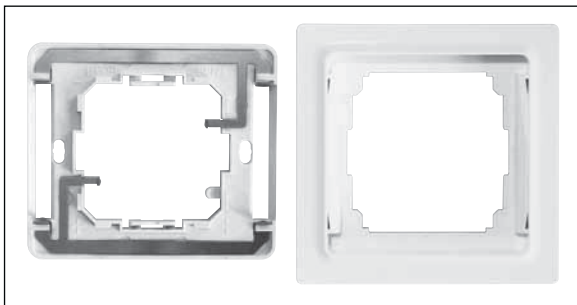
Instructions for inserting the batteries into the E-design frame



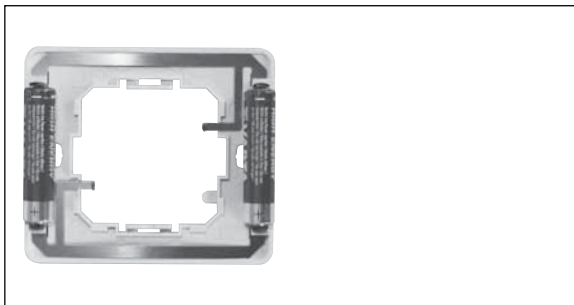
1. Pull the sensor forward out of the frame.



2. Remove the mounting frame from the frame.
To unlock, press the tab on the top and bottom to the outside.



3. Remove frame from the battery retaining plate.



4. Insert two pieces AAA batteries into the battery holder plate.
Please take care of the correct polarity!

5. Reassemble in reverse order.

Attach the sensor central!

Please make sure that the connection line is at the bottom.



CAUTION!

When mounting the battery mounting plate on a metal plate, an insulating foil must be placed under the battery mounting plate.

Must be kept for later use!

Eltako GmbH

D-70736 Fellbach

+49 711 94350000

www.eltako.com