

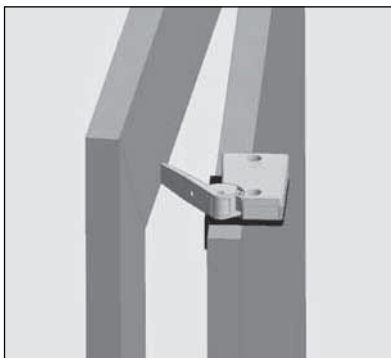
Mounting brackets

BW3

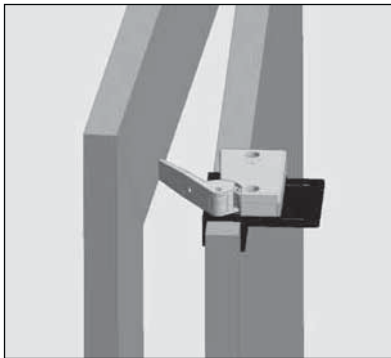
Set of mounting brackets for FTKE and FPE with 3 brackets, screws, screw nuts and self-adhesive strips.

Various types of installation:

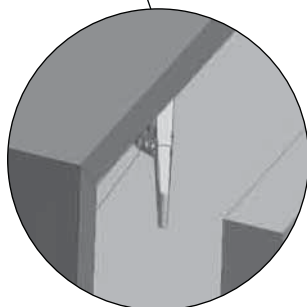
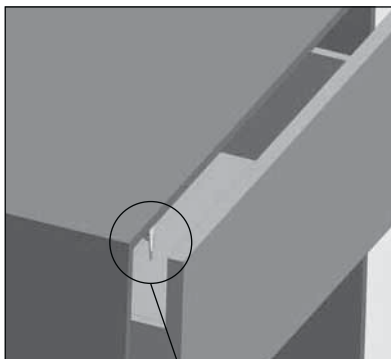
Glued on the door with one bracket (plugged or screwed with 2 short screws and nuts).



Clamped on the door with two brackets (screwed with 2 long screws and nuts).



Glued into the drawer.



Must be kept for later use!

Eltako GmbH

D-70736 Fellbach

Technical Support English:

Michael Thünte +49 176 13582514

thuente@eltako.de

Marc Peter +49 173 3180368

marc.peter@eltako.de

eltako.com