

LUD12-230V



Power MOSFET up to 400 W, ESL up to 100W and 230V LED up to 100W. Standby loss 0.1 watt only.

Modular device for DIN EN 60715 TH35 rail mounting.
1 module = 18 mm wide, 58 mm deep.

Capacity enhancers LUD12-230V can be connected to the universal dimming actuator EUD12Z, EUD12D, SUD12 (1-10V) input and FUD12/800W. By this the switching capacity for **one lamp** will be increased according to the tables depending on ventilation conditions up to 400, 350 or 300W or **alternatively for additional lamps** up to 400W per each capacity enhancer.

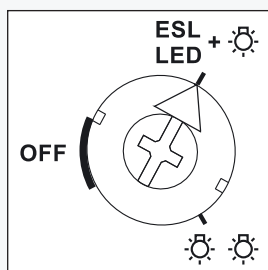
Both switching modes for increase of capacity can be executed simultaneously. Automatic detection of load R+L or R+C in the circuit "Increase of capacity with **additional lamps**". Supply voltage 230V.

Automatic electronic overload protection and over-temperature switch-off.

In the mode "Increase of capacity with additional lamps" the kind of load of a capacity enhancer LUD12-230V can vary from the kind of load of the universal dimming actuator.

Therefore it is possible to mix L loads and C loads.

Function rotary switch



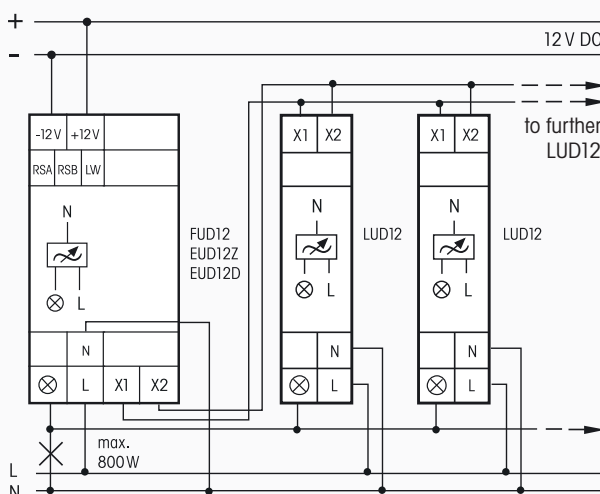
Standard setting ex factory.

The switching mode "one lamp" (☼) or "additional lamps" (☼☼) is set with a rotary switch on the front.

This setting must be same as the actual installation, otherwise there is a risk of destruction of the electronics.

For different setting on ESL and 230V LED lamps, see next page.

Increase of capacity for one lamp (☼), ESL and LED see next page



FUD12/800W:

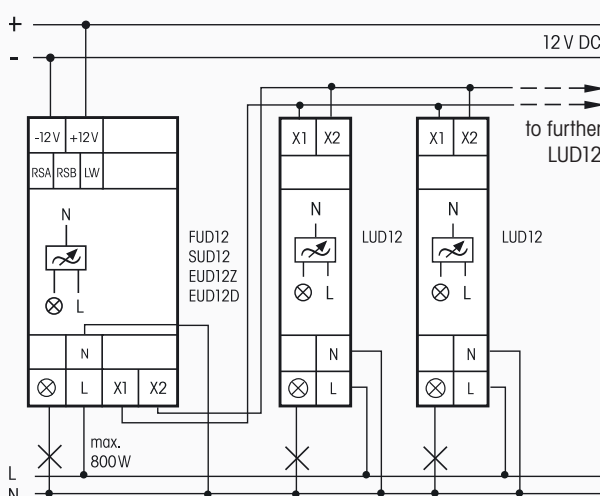
- 1.-4. LUD12 + 350W each
- 5.-8. LUD12 + 300W each

EUD12Z and EUD12D:

- 1. LUD12 + 400W
- 2.-5. LUD12 + 350W each
- 6.-9. LUD12 + 300W each

Please refer to the deviations in the connection diagrams for EUD12Z, EUD12D and SUD12 in the Operator Manual.

Increase of capacity with additional lamps (☼☼), ESL and LED see next page



FUD12/800W:

- 1.-6. LUD12 + 400W each
- 7. LUD12 + 200W

EUD12Z, EUD12D and SUD12:

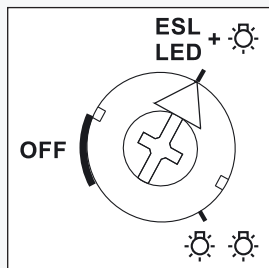
- 1.-7. LUD12 + je 400W
- 8. LUD12 + 200W

Please refer to the deviations in the connection diagrams for EUD12Z, EUD12D and SUD12 in the Operator Manual.

Housing for operating instructions GBA12 page Z-4.

Increase of capacity for dimmable energy saving lamps ESL and dimmable 230V LED lamps

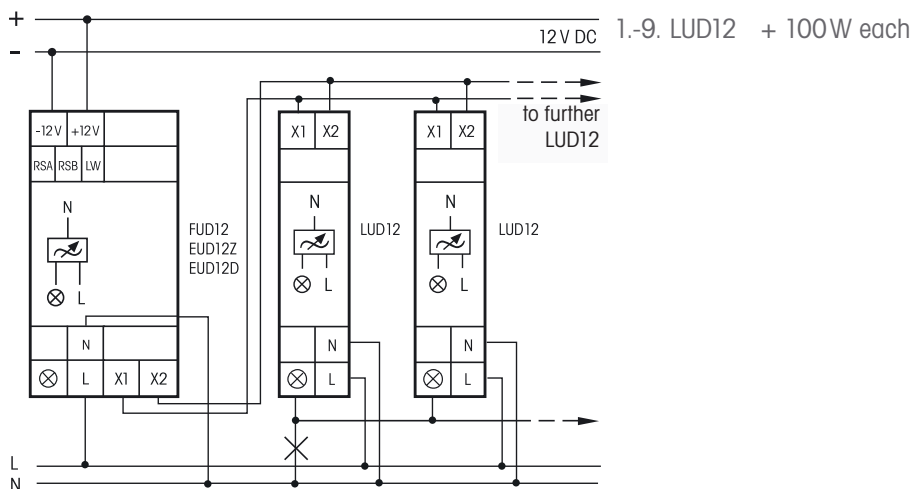
Function rotary switch



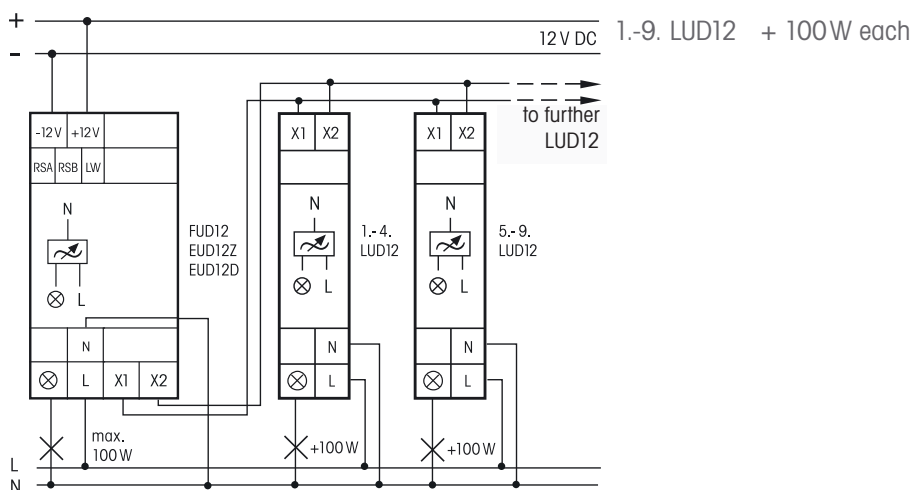
This setting must be made on the front panel on ESL and 230V LED lamps, also with power increase with additional lamps.

Otherwise there is a risk of destruction of the electronics.

Increase of capacity for one lamps



Increase of capacity with additional lamps



Housing for operating instructions GBA12 page Z-4.

LUD12-230V

Power MOSFET up to 500W

EAN 4010312107867

62,20 €/pc.

Recommended retail prices excluding VAT.