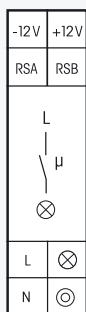


## FTN12-12V DC



**1-channel switching actuator, 1 NO contact not potential free 16A/250V AC, incandescent lamps up to 2000 watts, off-delay with switch-off early warning and switchable pushbutton permanent light. Also for energy saving lamps ESL up to 200 watts. Only 0.1 watt standby loss.**

Modular device for DIN-EN 60715 TH35 rail mounting. 1 module = 18mm wide, 58mm deep.

**Connection to the Eltako RS485 bus, terminals RSA and RSB.**

**Up to a total of 128 actuators can be added in this way.**

Up to 35 pushbuttons each with 4 functions can be assigned to each channel, of which one or more central pushbuttons.

Switching voltage 230V.

**Zero passage switching to protect contacts and consumers.**

The 12V DC supply voltage of the complete RS485 bus is mainly powered at 6W, 12W or 24W by a switch mode power supply unit SNT12-12V DC that is only 1 or 2 pitch units wide. When the relay of the FTN12 is switched on, 0.3 watt are required.

After installation, wait for short automatic synchronisation before the switched consumer is connected to the mains.

If the function TLZ is set, the lighting is switched on again after a power failure provided the set time has not yet elapsed.

In addition to the bus control input, this staircase off-delay timer can also be controlled locally by a conventional 230V control switch. Glow lamp current up to 5mA, dependent on the ignition voltage of the glow lamps.

**The upper rotary switch LRN** is required for teach-in. Then the off-delay 1 to 30 minutes can be set.

**Use the middle rotary switch** in position LRN to assign up to 35 switches and/or wireless motion/brightness sensors FBH via a wireless antenna module FAM12-12V DC, of which one or several may be central control switches. The required function of this staircase off-delay timer can then be selected:

**NLZ** = off-delay timer with adjustable operate delay

**TLZ** = staircase time switch

**ESL** = staircase time switch for energy saving lamps ESL

+ = with pushbutton permanent light (only TLZ)

+ = with switch-off early warning (TLZ + ESL)

+ = with pushbutton permanent light and switch-off early warning (TLZ + ESL)

**If the permanent light function** is switched on, the function can be activated by pressing the pushbutton for longer than 1 second. This function switches off automatically after 60 minutes or by pressing the pushbutton for longer than 2 seconds.

**If the switch-off early warning** is switched on, the light starts to flicker approx. 30 seconds before time-out. This is repeated three times at decreasing time intervals.

If both switch-off early warning and pushbutton permanent light are switched on, switch-off early warning is activated before automatic switch-off of the permanent light.

**With the bottom rotary switch** an operate delay (AV-time) can be set at NLZ.

Setting AUTO 1 = 1s, AUTO 2 = 30s, AUTO 3 = 60s, AUTO 4 = 90s und AUTO 5 = 120s (right stop). Also permanent light function can be set manually.

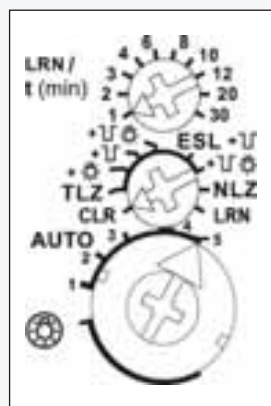
When teaching-in **wireless motion/brightness sensors FBH**, the switching threshold is defined on the last FBH taught-in to switch the light on/off depending on the brightness provided motion is detected. The off delay set on the FTN12 is prolonged by a setting of 1 minute fixed in the FBH.

When teaching-in **wireless window/door contacts FTK**, a NC or NO can be taught-in as required. Accordingly, the timing period starts when opening or closing the window or the door.

If **switches for permanent operation** are taught-in, for example wireless transmitter modules or FTS12EM, it is switched on when pressing and the time will be started when releasing.

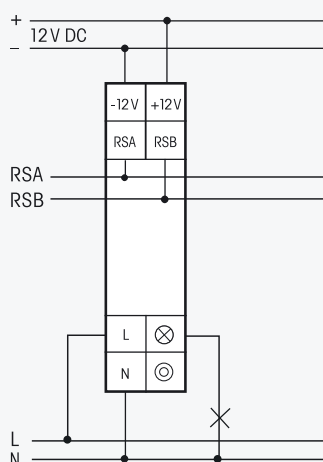
**The LED** below the upper function rotary switch performs during the teach-in process according to the operation manual. It shows control commands by short flickering during operation.

### Function rotary switches



Standard setting ex works.

### Typical connection



Connection example page 4-0.  
Technical data, see page T-0.

Housing for operating instructions  
GBA12 page Z-4.

**FTN12-12V DC**

RS485 bus switching actuator  
staircase off-delay timer

EAN 4010312300930

**40,60 €/pc.**

Recommended retail prices excluding VAT.