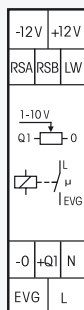


**FSG12/1-10V**



**Dimming actuator 1 channel, 1 NO contact not potential free 600 VA and 1-10V control output 40 mA. Only 0.9 watt standby loss. With adjustable minimum brightness and dimming speed. With switching operation for light alarm clocks, children's rooms and snooze function.**

Modular device for DIN-EN 60715 TH35 rail mounting. 1 module = 18mm wide, 58mm deep. State-of-the-art hybrid technology combines advantages of nonwearing electronic control with high capacity of special relays.

**Zero passage switching to protect contacts.**

The 12V DC supply voltage of the complete RS485 bus is mainly powered at 6W, 12W or 24W by a switch mode power supply unit SNT12-12V DC that is only 1 or 2 pitch units wide. The power consumption of the 12V DC power supply is only 0.05W.

The brightness level is stored on switch-off (memory).

In case of a power failure the switch position and the brightness stage are stored and may be switched on when the power supply is restored.

**Connection to the Eltako RS485 bus, terminals RSA and RSB.**

**Up to a total of 128 actuators can be added in this way.**

The minimum brightness (fully dimmed) is adjustable **with the % rotary switch.**

In the setting LRN up to 35 wireless pushbuttons can be assigned, of which one ore more central pushbuttons.

The dimming speed is adjustable using the **dimming speed rotary switch.**

The load is switched on and off by a bistable relay at output EVG. Switching capacity for fluorescent lamps or LV halogen lamps with EVG 600VA.

**By using a bistable relay coil power loss and heating is avoided even in the on mode.**

After installation, wait for short automatic synchronisation before the switched consumer is connected to the mains.

**The pushbuttons can be taught-in either as direction switches or universal switches:**

**As a direction switch**, press up is brighter and press down is darker respectively above short pressing means switch ON and below short pressing switch OFF. A double click above activates automatic updimming until full brightness with dim speed. A double click below activates snooze function. The children's room function will be realized with the upper switch.

**As a universal switch**, change the direction by briefly releasing the pushbutton. With switching operation for children's rooms and snooze function.

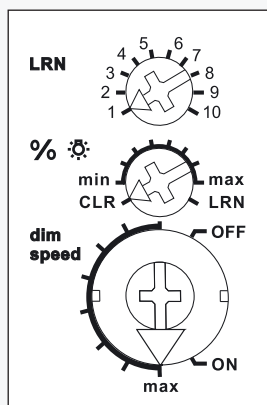
**Switching for light alarm clocks:** A wireless signal of a time clock which was taught-in accordingly starts the wake up function by switching on the light at the lowest brightness level and dims up slowly until the maximum level is reached. Dependent on the set dim speed the wake up time is between 30 and 60 minutes. The dimming process is stopped by tapping briefly. The contact of the timer must connect terminals +12V and LW at least 0.2 seconds.

**Switching operation for children's rooms**, when activated: If the light is switched on by holding down the pushbutton (universal switch or direction switch above), it starts at the lowest brightness level after approx. 1 second and dims up slowly as long as the pushbutton is held down. The last saved brightness level is not modified.

**Snooze function**, when activated (universal switch or direction switch below): With a double impulse the lighting is dimmed down from the current dimming position to the minimum brightness level and switched off. The current dimming position as well as the adjustable minimum brightness level determine the dimming time (max. = 60 minutes) which can be reduced as required. It can be switched off at any time by short-time control commands during the lighting is dimmed down.

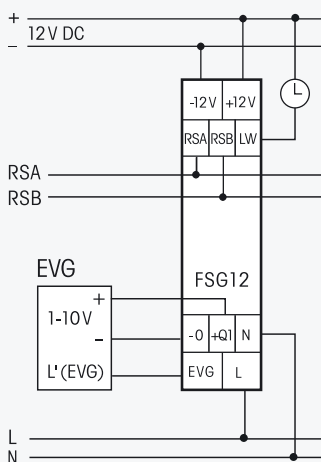
**The LED** below the upper function rotary switch performs during the teach-in process according to the operation manual. It shows control commands by short flickering during operation.

**Function rotary switches**



Standard setting ex works.

**Typical connection**



Connection example page 4-0.  
Technical data, see page T-0.  
Housing for operating instructions  
GBA12 page Z-4.

**FSG12/1-10V**

RS485 bus dimming actuator controller

EAN 4010312300411

**53,70 €/pc.**

Recommended retail prices excluding VAT.