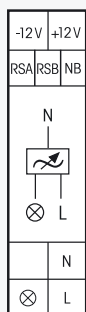


FLS12UD-12V DC



Universal dimming actuator 1 channel, Power MOSFET up to 500W, ESL up to 100W and LED up to 100W. Only 0.3 watt standby loss. Stores up to 40 light scenes for a group of dimmable energy saving lamps ESL, incandescent lamps and halogen lamps. Also with light scene control by PC or wireless pushbuttons.

Modular device for DIN-EN 60715 TH35 rail mounting. 1 module = 18mm wide, 58mm deep. Universal dimmer switch for R, L and C loads up to 500 watts, depending on ventilation conditions. Automatic detection of load R+L or R+C. ESL and LED is manually settable. Dimmable energy saving lamps ESL up to 100 watts and dimmable 230V LED lamps up to 100 watts.

Zero passage switching with soft ON and soft OFF to protect lamps.

The 12V DC supply voltage of the complete RS485 bus is mainly powered at 6W, 12W or 24W by a switch mode power supply unit SNT12-12V DC that is only 1 or 2 pitch units wide. The power consumption of the 12V DC power supply is only 0.05W.

The brightness level is stored on switch-off (memory).

In case of a power failure the switch position and the brightness stage are stored and may be switched on when the power supply is restored.

Automatic electronic overload protection and overtemperature switch-off.

Connection to the Eltako RS485 bus, terminals RSA and RSB.

Up to a total of 128 actuators can be added in this way.

Function of FLS12UD-12V DC

All FLS12s in a room can be switched in series to obtain light scenes. The brightness of each lamp group is manually adjustable and the entire light scene can then be taught-in. Up to 40 light scenes are programmable. Up to 10 light scenes are retrievable sequentially with only one pushbutton. Up to 30 additional light scenes are directly retrievable with single assigned pushbuttons.

Each FLS12 or FLS12 groups can also be switched and dimmed individually with direction switches. There are a total of 35 light scene and individual pushbuttons on each FLS12. Retrieving a light scene overrides an individual setting.

A wireless transmitter module FSM12 or FSM61 appropriately taught-in via a wireless antenna module FAM12-12V DC has the same function as a light scene switch. Specific light scenes can then be retrieved with event-dependent or time-dependent control.

Position R,L,C is the setting for all load types except for ESL and LED. In particular for 230V glow and halogen lamps. The load type, inductive or capacitive, is detected automatically.

The setting ESL considers the special conditions regarding dimmable energy saving lamps: The starting operation is optimized and adapted to the dimming curve. In this setting the special switching operation for children's rooms is not possible and no wound (inductive) transformer must be dimmed.

The position LEDs take account of special conditions with dimmable 230V LED lamps:

A number of different dimming curves are available. An updated list with dimming curve assignment for commercially available dimmable 230V LED lamps is ready for downloading at www.eltako.com/dimming_curve/LED_gb.pdf. In these settings no wound (inductive) transformer must be dimmed.

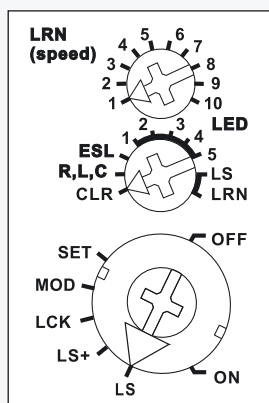
Light scenes on the PC are set and retrieved using the Wireless Visualisation and Control Software FVS. One or several FLS12UD devices must be taught in on the PC as dimming switches with percentage brightness values.

Lights scenes with wireless pushbuttons are taught in on the FLS12UD device. Either four sequentially retrievable brightness values (press up = next light scene, press down = previous light scene) and/or up to four brightness values taught in a light scene pushbutton with double rocker.

Motion detection with taught-in wireless motion detector FBH. The light switches off automatically after 15 minutes provided no more motion is detected.

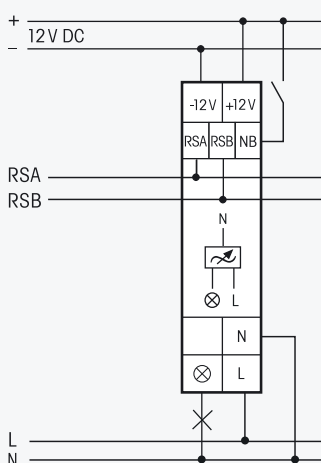
The LED below the upper function rotary switch performs during the teach-in process according to the operation manual. It shows control commands by short flickering during operation.

Function rotary switches



Standard setting ex works.

Typical connection



Connection example page 4-0. Technical data, see page T-0.

Housing for operating instructions GBA12 page Z-4.

FLS12UD-12V DC

RS485 bus universal dimming actuator
light scene controller

EAN 4010312301104

57,60 €/pc.