

Three-phase Energy Meter DSZ12DE-3x65 A with display, without approval

Eltako
ELECTRONICS

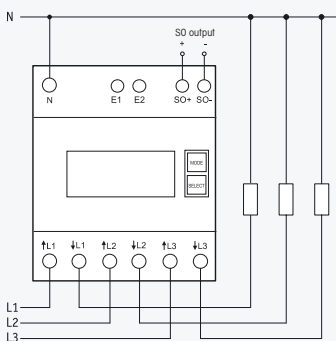
DSZ12DE-3x65 A

min 



Typical connection

4-wire-connection 3x230/400V



Maximum current 3x65A. Standby loss 0.4 watt per path only.

Modular device for DIN-EN 60715 TH35 rail mounting.

4 modules = 70mm wide and 58mm deep.

Accuracy class B (1%). With S0 interface.

It measures active energy by means of the current between input and output. The internal power consumption of 0.4 watt active power per path is neither metered nor indicated.

1, 2 or 3 phase conductors with max. currents up to 65A can be connected.

The inrush current is 40mA.

The N terminal must always be connected.

The 7 segment LC display is also legible twice within a period of 2 weeks without power supply.

Power consumption is shown by a bar flashing at a rate of 100 times per kWh.

Designed as standard for using as double-tariff meter: Switch over to a second tariff by applying 230V to terminals E1/E2.

On the right next to the display are the keys MODE and SELECT. Press them to scroll through the menu according to the operation manual. First the **background lighting** switches on. The display then shows the total active energy per tariff, the active energy per resettable memory RS1 or RS2, and the instantaneous values of consumption, voltage and current per phase.

Error message (false)

When the phase conductor is missing or the current direction is wrong 'false' and the corresponding phase conductor are indicated on the display.

Technical data page F15. Housing for operating instructions GBA12 page Z5.

DSZ12DE-3x65A

without approval

EAN 4010312501221

198,20 €/pc.

Recommended retail prices excluding VAT.