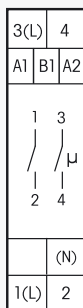


NEW

S2U12DDX-UC



2-channel timer. 1+1 NO contacts potential free 16A/250V AC. With "astro" function. Only 0.03-0.4 watt standby loss.

Modular device for DIN-EN 60715 TH35 rail mounting.
1 module = 18mm wide, 58mm deep.

Patented Eltako Duplex technology (DX) allows you to switch normally potential free contacts in zero passage switching when 230V A/C voltage 50Hz is switched. This drastically reduces wear. To achieve this, simply connect the N conductor to the terminal (N) and L to 1(L) and/or 3(L). This results in an additional standby consumption of only 0.1 watt.

State-of-the-art hybrid technology combines advantages of nonwearing electronic control with high capacity of special relays.

By using bistable relays coil power loss and heating is avoided even in the on mode.

Up to 60 timer memory locations are freely assigned to the channels. With date and automatic summer/winter time changeover. Ca. 7 days power reserve without battery.

Each memory location can be assigned with the astro function (automatic switching after sunrise or sundown), the switch on/off time or a pulsed switching time (which triggers an impulse of 2 seconds). The astro switch on/off time can be changed by +/- 2 hours.

With control input (+A1) for central control ON or OFF with priority.

Supply voltage and control voltage for central control 8 to 230V UC.

The timer is set using the MODE and SET keys and a keylock function is provided.

Set language: Every time the power supply is applied, press SET within 10 seconds to set the language and press MODE to confirm. D = German, GB = English, F = French, IT = Italian and ES = Spanish. The normal display then appears: weekday, time, day and month.

Rapid scroll: In the following settings, the numerals scroll rapidly when you press and hold down Enter. Release then press and hold down to change the scroll direction.

Set clock: Press MODE then at PRG (program) press SET to search for the **CLK function**.

Press MODE to set. In H, press SET to select the hour and press MODE to confirm.

In M proceed in the same way to set the minute.

Set date: Press MODE then at PRG press SET to search for the **DAT function**.

Press MODE to select. At Y, press SET to select the year and press MODE to confirm.

Proceed in the same way at M to set the month and at D to set the day. The last setting in the sequence is MO (weekday) blinking. Press SET to set it and press MODE to confirm.

Set geographic position (if the astro function is required): Press MODE then press SET at PRG to search for the **POS function**. Select by pressing MODE. For LAT press SET to select the latitude and press MODE to confirm. Repeat this procedure for LON to select the longitude and press MODE to confirm. As the last setting in the sequence, GMT flashes. Here press SET to select the time zone and press MODE to confirm.

Manual switching: Press MODE and for PRG press SET to search for function INT. Then press MODE to select. For CH press SET to select Channel 1 or 2 and press MODE to confirm. Manual switching is cancelled automatically when a timer function is executed.

Summer/winter time changeover: Press MODE then at PRG press SET to search for the **SWT function** and press MODE to select. Now press SET to switch between ON and OFF. If you select ON, changeover is automatic.

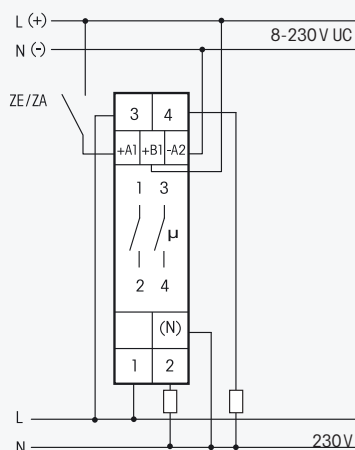
Central control ON or OFF with priority: Press MODE and then press SET for PRG to search for **function CIA**. Press MODE to select. Then press SET to switch from COF to CON and press MODE to confirm.

Switch random mode on/off: Press MODE then at PRG press SET to search for the **RND function** and press MODE to select. Press SET to set to ON (RND+) or OFF (RND) and press MODE to confirm. When random mode is switched on, all switch-on time points of all channels are shifted at random by up to 15 minutes. Switch-on times are switched earlier and switch-off times are switched later.

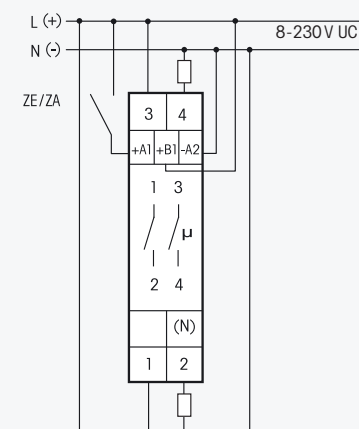
Enable keylock: Briefly press MODE and SET together and at LCK, press SET to lock. This is displayed by an arrow next to the lock symbol.

Disable keylock: Press MODE and SET together for 2 seconds and at UNL press SET to unlock.

Typical connection



with contact switching of zero crossover



with contact switching of zero crossover

Technical data page E11. Housing for operating instructions GBA12 page Z5.

S2U12DDX-UC

2-channel timer

EAN 4010312603208

69,80 €/pc.

Recommended retail prices excluding VAT.