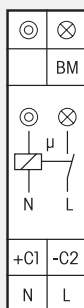


TLZ12D-230 V+UC



1 NO contact not potential free 16A/250V AC. Incandescent lamps up to 2300W, energy saving lamps ESL up to 200W. Switch-off early warning and permanent light by push-button switchable. Standby loss 0.5 watt only. With ESL optimisation and multifunction.

Modular device for DIN EN 60715 TH35 rail mounting.
1 module = 18mm wide, 58mm deep.

The functions and times are entered using the MODE and SET keys as described in the operating manual and indicated on the LC display. A keylock function is provided.

Zero passage switching to protect contacts and lamps. This prolongs in particular the lifetime of energy saving lamps.

State-of-the-art hybrid technology combines advantages of nonwearing electronic control with high capacity of special relays.

230V control input that allows a **glow lamp current up to 50 mA**, dependent on the ignition voltage of the glow lamps. 230V supply voltage and switching voltage. In addition electrically isolated universal voltage from 8 to 230V UC.

Extremely low switching noise. Precise variable time range from 1 to 99 minutes.

Separate Permanent light switch with the projecting key SET if the functions STS, ISO, IS or R are set.

With motion detector control input BM, which converts the input signal into a control impulse if the function STS is set. In this case the permanent light by push-button function is not active. 3-wire and 4-wire circuits, resettable, with attic lighting if 4-wire circuit.

Automatic detection of the method of connection.

If the function STS is set, the lighting is switched on again after a power failure provided the set time has not yet elapsed.

The elapsed period is shown in the middle of the display. The set time flashes at the bottom edge of the display until the set period elapses. **The accrued switch-on time** is displayed there outside the elapsed time, first in hours (h), then in months (m) with 1 digit after the decimal point.

When the set time flashes but the elapsed time does not change, a control push-button is inhibited.

If switch-off early warning function is switched on, the light starts flickering in time variable from 10 to 50 seconds before time-out and is repeated three times at decreasing time intervals.

If permanent light by push-button is switched on, permanent light can be switched on by pressing the push-button longer than 1 second. This is switched off automatically after time variable from 0.5 to 10 hours or by pressing the push-button longer than 2 seconds.

This function is not active at the BM input.

If both switch-off early warning function and permanent light by push-button are switched on, the switch-off early warning function is activated before the permanent light switches off.

If energy saving lamps are switched completely or partially, activate position 'ESL' in the menu guidance. This is indicated by a + sign next to the abbreviation for the function at the top of the display.

If the function STS is selected **the time can be extended** within the first second after switching on or resetting **by pressing the push-button repeatedly up to three times** (incrementing). Each momentary-contact increments the set time once. This function is not active at the BM input.

With multifunction: Switchable to the functions **IS** (impulse switch), **R** (relay), **ISO** (impulse switch with off-delay) and **HC** (hour counter, see also digital adjustable operating hours impulse counter BZR12DDX on page G1). After setting the required function, the function can be blocked. An arrow on the right of the abbreviation indicates the blocking status.

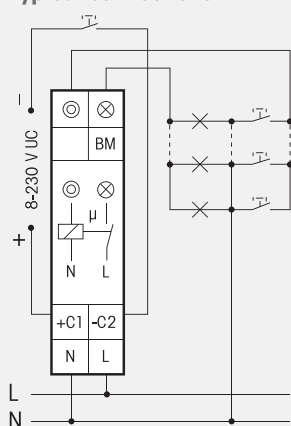
ISO: The impulse switch automatically disconnects after the set delay from 0.1 to 9.9 hours is timed out, provided there is no manual OFF command. Switch-off early warning, permanent light by push-button and ESL are also switchable if the function ISO is set.

HC: As long as the push-button input is excited, the + sign is indicated next to the abbreviation for the function HC at the top of the display. The time is added and indicated at the bottom of the display. Initially up to 9999 hours (h), then automatic change-over to months (m) each with 730 hours and display with 1 digit after the decimal point. The relay is not switched on if the function HC is set.

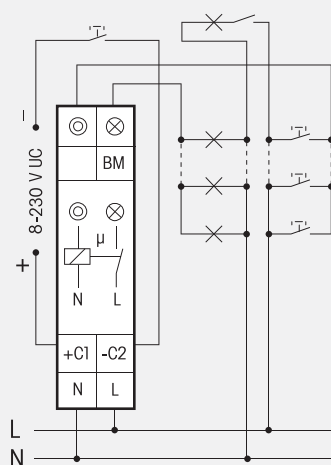
Menu guidance with selectable languages German, English or French as described in the attached operating instructions. Also visit www.eltako-ba.de.

Technical data page D8. Housing for operating instructions GBA12 page Z5.

Typical connections



3-wire circuit, resettable



4-wire circuit with attic lighting, resettable

TLZ12D-230V+UC

1 NO 16A

EAN 4010312400760

43,30 €/pc.

Recommended retail prices excluding VAT.