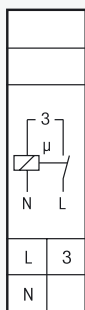


TLZ12-9E-230 V



1 NO contact not potential free 16 A/250 V AC.
Incandescent lamps up to 2300 W, energy saving lamps ESL up to 100 W.
Switch-off early warning switchable. Standby loss 0.5 watt only.

Modular device for DIN EN 60715 TH35 rail mounting.
 1 module = 18 mm wide, 58 mm deep.

Zero passage switching to protect contacts and lamps. This prolongs in particular the lifetime of energy saving lamps.

State-of-the-art hybrid technology combines advantages of nonwearing electronic control with high capacity of special relays.

230V control voltage, supply voltage and switching voltage.

Glow lamp current up to 50 mA, dependent on the ignition voltage of the glow lamps.

Precise variable time range from 1 to 12 minutes, settable by minute scale.

Own permanent light switch with the big rotary switch.

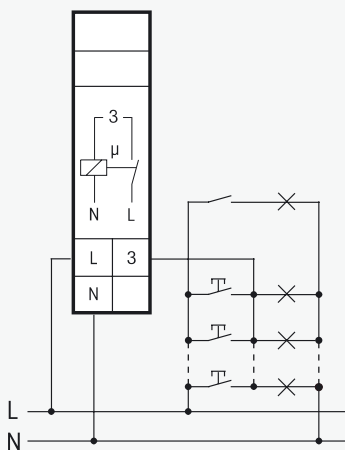
3-wire circuit with attic lighting, not resettable. Only for retrofitting existing systems.

After a power failure the lighting is switched on again in case the set time has not elapsed yet.

If switch-off early warning function is switched on, the light starts flickering approx. 30 seconds before time-out and is repeated three times at decreasing time intervals.

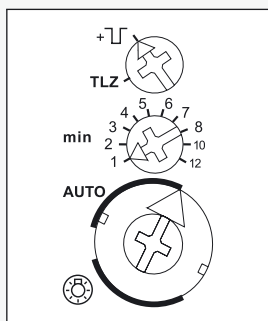
The noiseless electronics is not even audible to a highly sensitive ear - unlike many synchronous motors with mechanical gearboxes.

Typical connection



3-wire circuit with attic lighting, not resettable

Function rotary switches



- = Switch-off early warning function
- = Permanent light switched on (all click-stop positions)
- AUTO = The set function is active (all click-stop positions)

Technical data page D8.

Housing for operating instructions GBA12 page Z5.