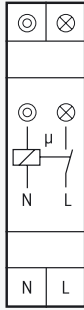


TLZ12-230V



1 NO contact not potential free 16 A/250 V AC.
Incandescent lamps up to 2000W, energy saving lamps ESL up to 100W, without switch-off early warning. Standby loss 0.7 watt only.

Modular device for DIN EN 60715 TH35 rail mounting.
 1 module = 18 mm wide, 58 mm deep.

State-of-the-art hybrid technology combines advantages of nonwearing electronic control with high capacity of special relays.

230V control voltage, supply voltage and switching voltage.

Extremely low switching noise.

Variable time range from approx. 0.2 to 12 minutes.

Glow lamp current up to 50 mA, dependent on the ignition voltage of the glow lamps.

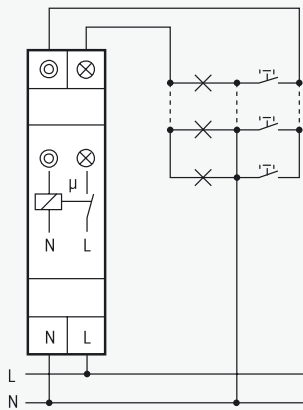
Own permanent light switch with the big rotary switch.

3-wire and 4-wire circuits, resettable, with attic lighting if 4-wire circuit.

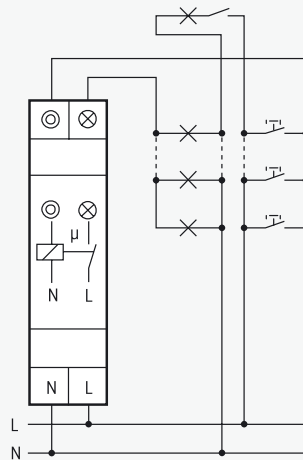
Automatic detection of the method of connection.

Without switch-off early warning function and without zero passage switching.

Typical connections

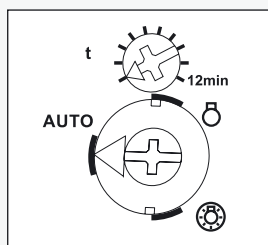


3-wire circuit, resettable



4-wire circuit with attic lighting, resettable

Function rotary switches



= Function switched off

= Permanent light switched on

AUTO = The set function is active

Technical data page D8.

Housing for operating instructions GBA12 page Z5.

TLZ12-230V

1 NO 16A

EAN 4010312400142

25,80 €/pc.