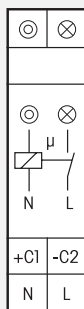


## ESR12NP-230V+UC



**1 NO contact not potential free 16A/250V AC, incandescent lamp load up to 2300W. Off delay impulse switch with switch-off early warning and push-button permanent light switchable. Standby loss 0.5 watt only.**

Modular device for DIN-EN 60715 TH35 rail mounting. 1 module = 18mm wide, 58mm deep.

**Zero passage switching** to protect contacts and lamps. This prolongs in particular the lifetime of energy saving lamps.

State-of-the-art hybrid technology combines advantages of nonwearing electronic control with high capacity of special relays.

Control voltage 230V. In addition electrically isolated universal voltage from 8 to 230V UC. Supply voltage and switching voltage 230V.

Very low switching noise. If the function ESV is set, definitely variable off-delay time RV from 2 to 120 minutes, settable by minute scale.

Contact position indication with two LEDs. This starts blinking in case of a blocked push-button (not if the function ER is set).

Glow lamp current up to 150mA only at the control input 230V independent from ignition voltage (not if the function ER is set).

**Relays with suitable functions to feed back the switching voltage signal of a dimmer switch.**

In case of a power failure the system is disconnected in a preset sequence.

The functions ES, ESV or ER are selectable **by means of a rotary switch**.

**ES** = Impulse switch

**ER** = Switching relay

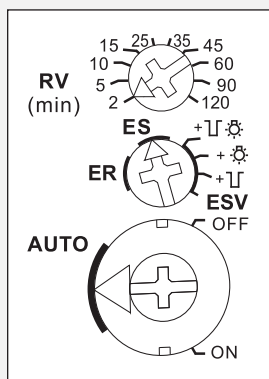
**ESV** = Impulse switch with off delay. The impulse switch automatically disconnects after the set delay is timed out if a manual OFF command has not been given. Infinitely variable time range up to 120 minutes.

**ESV** = If switch-off early warning  $\sqcup$  is set the stairwell lighting starts flickering approximately +  $\sqcup$  30 seconds before timeout at repeated shorter time intervals. During this process reset is possible.

**ESV** = If push-button permanent light  $\odot$  is set permanent light can be switched on by +  $\odot$  pressing longer than 1 sec. This switches off automatically after 2 hours or by an operation longer than 2 seconds.

**ESV** If both switch-off early warning function and permanent light by push-button  $\sqcup \odot$  are +  $\sqcup \odot$  set, the switch-off early warning function is activated before switching off the permanent light.

### Function rotary switches



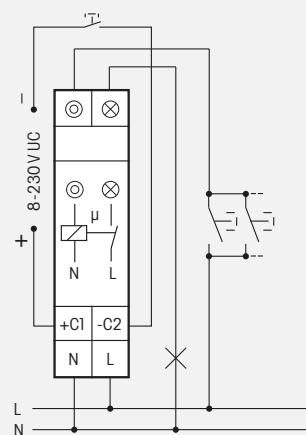
Standard setting ex factory.

$\sqcup$  = switch-off early warning

$\odot$  = push-button permanent light

$\sqcup \odot$  = switch-off early warning and push-button permanent light

### Typical connection



**This electronic impulse switch does not need a base load for switching lights in rooms which are monitored by a FR12-230V mains disconnection relay.**

Technical data page C10. Housing for operating instructions GBA12 page Z5.

**ESR12NP-230V+UC**

1 NO 16A

EAN 4010312107928

**37,20 €/pc.**

Recommended retail prices excluding VAT.