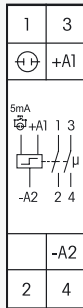


ES12-200-8..230V UC



**2 NO contacts potential free 16A/250V AC.
Incandescent lamp load up to 2000W.
No standby loss.**

Modular device for DIN-EN 60715 TH35 rail mounting.
1 module = 18 mm wide, 58 mm deep.

Either universal control voltage 8 to 230V UC at the control input +A1/A2
or 230V with glow lamp current up to 5 mA at the control input ⊕ (L)/-A2(N).

The simultaneous use of two potentials at the control inputs is not permitted.

Very low switching noise.

No permanent power supply necessary, therefore no standby loss.

State-of-the-art hybrid technology combines advantages of nonwearing electronic control with high capacity of special relays.

By using a bistable relay coil power loss and heating is avoided even in the on mode.

The relay contact can be open or closed when putting into operation. It will be synchronised at first operation.

Same terminal connection as the electromechanical impulse switch S12-200-.

Maximum current across both contacts 20A for 230V.

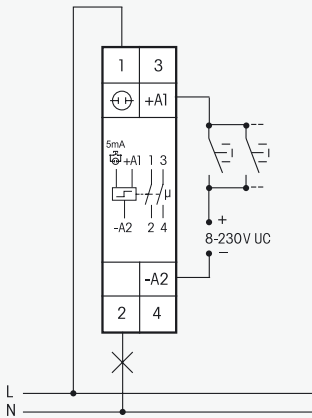
If this impulse switch is in a circuit, which is monitored by a FR12-230V mains disconnection relay, no additional base load is required. However, the monitoring voltage of the FR12-230V must be set to 'max'.

This electronic switchgear represents the latest generation:

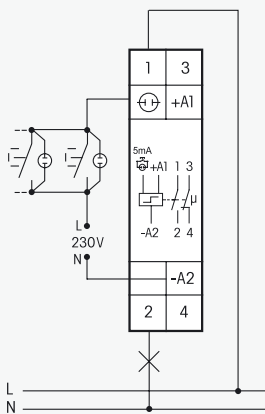
The electronics does not have an internal power supply and therefore no power is consumed in any contact position. A control current flows only during a short control impulse of 0.2 seconds. This activates the microcontroller, reads the last switching state from the non-voltage memory, switches the bistable relay to its opposite state accordingly and rewrites the new switching state to memory.

Typical connection

Either universal control voltage 8 to 230V UC



or control voltage 230V with glow lamp current up to 5mA



Technical data page A12. Housing for operating instructions GBA12 page Z5.

ES12-200-8..230V UC

2 NO 16A

EAN 4010312108048

41,20 €/pc.

Recommended retail prices excluding VAT.