

Electronic impulse switch for central control

ES12.1NP-230V+8..230V UC



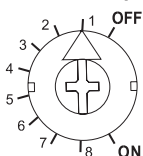
4874

Control voltage 230V, additionally electrically isolated universal-control voltage 8 to 230V UC. In addition control inputs 8 to 230V UC central ON and central OFF, electrically isolated from the local input and from the make contact. Supply voltage and switching voltage 230V.

Very low switching noise. Bistable relay as make contact. In case of a power failure the system is disconnected in a defined mode. Stand-by loss only 0,1Watt.

Glow lamp current 150mA, independent of ignition voltage, only at the control input 230V. Zero passage switching to protect contact and lamps.

Function rotary switch



OFF = Permanent OFF

Position 1 = No priority. If central control inputs are excited permanently also local operation of the pushbutton is possible. The last central command will be carried out. This is the setting ex works.

Position 2 = Priority for central OFF. A previous central command ON will be overridden even if the control signal is still applied. Only as long as central OFF is realised, local operation of the pushbutton is ineffective.

Position 3 = Priority for central ON. A previous central command OFF will be overridden even if the control signal is still applied. Only as long as central ON is realised, local operation of the pushbutton is ineffective.

Position 4 = Priority for central ON and OFF. Local pressing of the pushbutton is ineffective. However, central OFF has priority over central ON.

Position 5 = Priority for central ON and OFF. Local pressing of the pushbutton is ineffective. However, central ON has priority over central OFF.

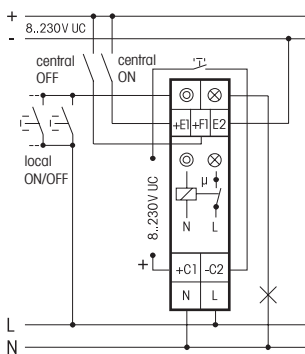
Position 6 = Priority for central ON and OFF. Local operation of the pushbutton is ineffective. The first central command has priority as long as it is applied.

Position 7 = Priority for central ON and OFF. Local operation of the pushbutton is ineffective. The second central command has priority as long as it is applied.

Position 8 = Priority for permanently excited local push button. Central commands will not be carried out.

Position ON = Permanent ON.

Typical connection



Technical data

Control voltages	230V and 8..230V UC
Rated switching capacity	16A/250V AC
Incandescent lamp load 230V ¹⁾	2000W
Halogen lamp load 230V ¹⁾	2000W
Fluorescent lamp load (KVG)	1000 VA
in lead-lag circuit	
Fluorescent lamp load (KVG)	500 VA
shunt-compensated	
Fluorescent lamps (EVG)	500 VA
Compact fluorescent lamp (EVG)	1 on ≤ 70A/10 ms ²⁾

¹⁾ For lamps with 200W max.

²⁾ For electronic ballast gears a 40fold inrush current has to be calculated.

Bistable relays as make contacts. The switched consumer shall not be connected to the mains before the automatic synchronisation of approx. 2 sec after installation has terminated.

Important reminder!

This electrical equipment may only be installed by skilled electricians otherwise fire hazard or danger of electric shock exists!