

Multifunction switching relay

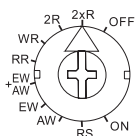
ER12M-8..230V UC



4876

Universal control voltage 8..230V UC.
 Stand-by loss only 0,1 Watt. Supply voltage like control voltage.
 Contact position indication with two LEDs. Very low switching noise. Bistable relays as make contacts.

Function rotary switch



- OFF** = Permanent OFF
- 2xR** = 2fold switching relay with 1 NO contact each, control inputs A1 and A3
- 2R** = Switching relay with 2 NO contacts
- WR** = Switching relay with 1 NO contact and 1 NC contact

RR = Switching relay (closed-circuit current relay) with 2 NC contacts

EW = Impulse relay for passing make contact and passing break

+AW contact with 1 + 1 NO contacts, wiping time 1 sec. each

EW = Impulse relay for passing make contact with 1 NO contact and 1 NC contact, wiping time 1 sec

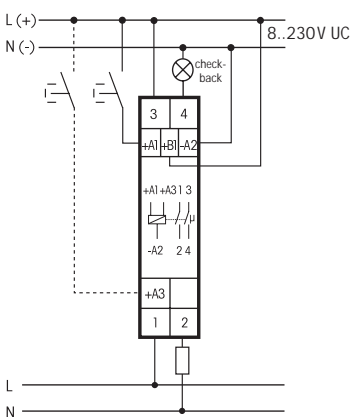
AW = Impulse relay for passing break contact with 1 NO contact and 1 NC contact, wiping time 1 sec

RS = Switching relay with A1 = set control input and A3 = reset control input

ON = Permanent ON

The control inputs A1 and A3 have the same functions except for 2xR and ZS.

Typical connection



Technical Data

Control voltage	8..230V UC
Rated switching capacity	16 A/250V AC
Incandescent lamp load 230V ¹⁾	2000 W
Halogen lamp load 230V ¹⁾	2000 W
Fluorescent lamp load (KVG) in lead-lag circuit	1000 VA
Fluorescent lamp load (KVG) non compensated or serial compensated	1000 VA
Fluorescent lamp load (KVG) shunt-compensated	500 VA
Fluorescent lamps (EVG)	500 VA
Compact fluorescent lamp (EVG)	1 on ≤ 70A/10 ms ²⁾

¹⁾ For lamps with 200W max.

²⁾ For electronic ballast gears a 40fold inrush current has to be calculated.

Bistable relays as make contacts. The switched consumer shall not be connected to the mains before the automatic synchronisation of approx. 2 sec after installation has terminated.

Important reminder!

This electrical equipment may only be installed by skilled electricians otherwise fire hazard or danger of electric shock exists!