

## Single-phase energy meter WSZ12D-65A with display, with MID approval



### Maximum current 65A. Standby loss 0.7 watt only.

Modular device for DIN-EN 60715 TH35 rail mounting.  
1 module = 18mm wide and 58mm deep.

Accuracy class B (1%). With S0 interface as standard.

This single-phase energy meter measures active energy by means of the current between input and output. The internal power consumption of 0.7 watt active power is neither metered nor indicated.

1 phase conductor with a max. current up to 65A can be connected.  
The start current is 40mA.

If the anticipated load exceeds 50%, maintain an air gap of ½ pitch unit to the devices mounted adjacently. If necessary, use spacer DS12.

Two N terminals for secure cross wiring of several counters.

Power consumption is shown by a bar flashing at a rate of 1000 times per kWh.  
In the event of a connection error the bar flashes at a high rate (2 times per second).

When the display is running, it shows the total active energy and the display bars are in the kWh position.

Press the button under the display to switch on the background lighting. Then you can browse through the menu. The bar moves to the current display: the cumulative power of the resettable memory RS (kWh), the current power P (kW), the current voltage U (V) and the present current I (A) will be displayed successively. In the end it will be browsed to the active energy display (kWh). The program automatically returns back to normal display (kWh) 20 seconds after pressing the button and the background lighting will be switched off.

The memory RS is reset by pressing the button for longer than 3 seconds while the memory is displayed. Then confirm the message 'reset' by pressing the button again for 3 seconds.

**The 7 segment LC display is also legible twice within a period of 2 weeks without power supply. Press the button.**

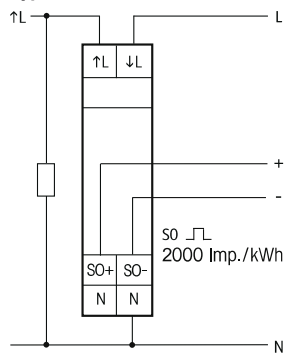
### Technical data

|   |  |
|---|--|
| Rated voltage, extended range                               | 230V, 50Hz, -20%/+15%  |
| Reference current $I_{ref}$ ((Limiting current $I_{max}$ )) | 10(65)A  |
| Internal consumption active power                           | 0.7W   |
| Display   | LC display 7 digits,<br>therefrom 1 or 2 digits after the decimal point  |
| Accuracy class $\pm 1\%$                                    | B  |
| Inrush current according to accuracy class B                | 40mA   |
| Ambient temperature limits                                  | -10/+55°C  |
| Interface   | potential free by opto-coupler,<br>max. 30V DC/20mA and min. 5V DC.<br>S0: pulse output described in DIN EN 62053-31,<br>impedance 100 Ohm, pulse length 30ms, 2000 Imp./kWh |
| Protection degree   | IP50 for mounting in distribution cabins with protection class IP51  |
| Maximum conductor cross section                             | L terminals 16 mm <sup>2</sup><br>N and S0 terminals 6 mm <sup>2</sup>   |
| EC type examination certificate                             | CH-MI003-11016   |

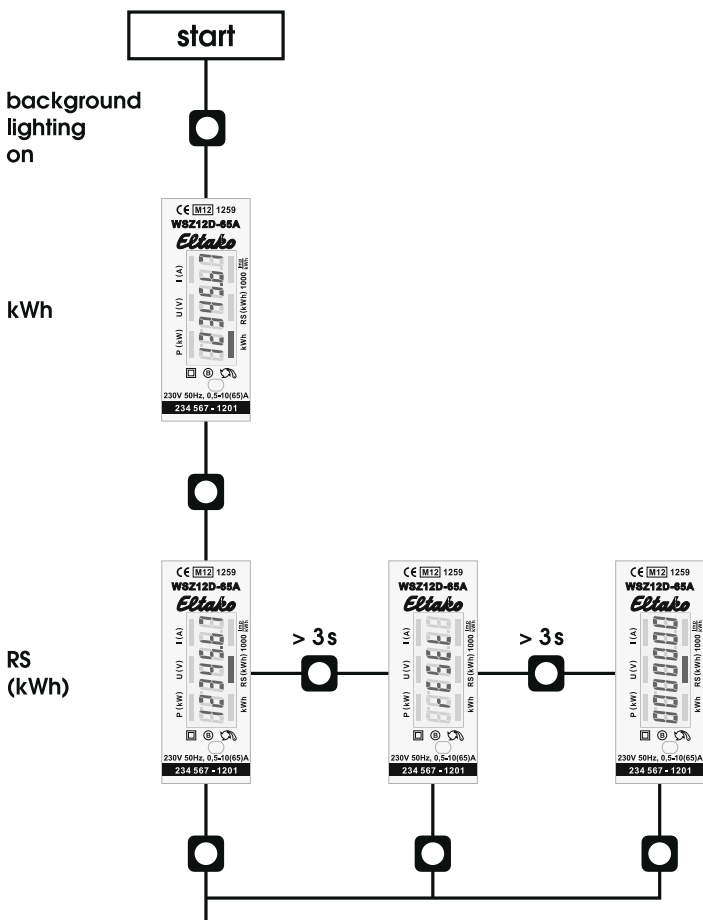
### EC DECLARATION OF CONFORMITY

|   |  |
|---|--|
| File name   | FQKZ033  |
| Product   | <b>Single-phase energy meter with MID approval</b>                 |
| Type designation  | <b>WSZ12D-65A</b>  |
| EC type examination certificate   | CH-MI003-11016   |
| <b>Eltako GmbH, D - 70736 Fellbach, herewith declares, on their own responsibility that the energy meter which this certificate refers to, is in accordance with the following standards:</b> |  |
| EN 50470  | parts 1 and 2 (electromechanical meters)                           |
| EN 50470  | parts 1 and 3: October 2006 (electronic meters)                    |
| Directive 2004/22/EG of the European parliament and of the Council on measuring instruments   |  |
| <ul style="list-style-type: none"> <li>Annex I, essential requirements</li> <li>Annex MI-003, active electrical energy meters</li> </ul>  |  |
| Conformity assessment body  | Certification body METAS-Cert, no. 1259<br>CH-3003 Bern-Wabern     |
| Issuer  | Eltako GmbH  |
| Place, Date   | Hofener Straße 54, D-70736 Fellbach<br>Fellbach, 22. December 2011 |
| signed  | Ulrich Ziegler, General Manager                                    |

### Typical connection



### Menu guidance WSZ12D



current power  
 P (kW)



voltage  
 U (V)



current  
 I (A)



### Important note!

This electrical equipment may only be installed by skilled electricians otherwise fire hazard or danger of electric shock exists!