

Single-phase energy meter WSZ12D-32 A with display, with MID approval



Maximum current 32A. Standby loss 0.7 watt only.

Modular device for DIN-EN 60715 TH35 rail mounting.
1 module = 18mm wide and 58mm deep.

Accuracy class B (1%). With S0 interface as standard.

This single-phase energy meter measures active energy by means of the current between input and output. The internal power consumption of 0.7 watt active power is neither metered nor indicated.

1 phase conductor with a max. current of up to 32A can be connected.
The start current is 20mA.

If the anticipated load exceeds 50%, maintain an air gap of ½ pitch unit to the devices mounted adjacently. If necessary, use spacer DS12.

Two N terminals for secure cross wiring of several counters.

Power consumption is shown by a bar flashing at a rate of 1000 times per kWh.
In the event of a connection error the bar flashes at a high rate (2 times per second).

When the display is running, it shows the total active energy and the display bars are in the kWh position.

Press the button under the display to switch on the background lighting. Then you can browse through the menu. The bar moves to the current display: the cumulative power of the resettable memory RS (kWh), the current power P (kW), the current voltage U (V) and the present current I (A) will be displayed successively. In the end it will be browsed to the active energy display (kWh). The program automatically returns back to normal display (kWh) 20 seconds after pressing the button and the background lighting will be switched off.

The memory RS is reset by pressing the button for longer than 3 seconds while the memory is displayed. Then confirm the message 'reset' by pressing the button again for 3 seconds.

The 7 segment LC display is also legible twice within a period of 2 weeks without power supply. Press the button.

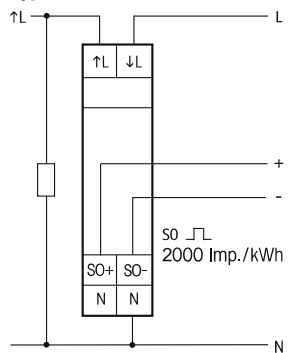
Technical data

Rated voltage, extended range	230V, 50Hz, -20%/+15%
Reference current I_{ref} ((Limiting current I_{max}))	5 (32) A
Internal consumption active power	0.7W
Display	LC display 7 digits, therefrom 1 or 2 digits after the decimal point
Accuracy class $\pm 1\%$	B
Inrush current according to accuracy class B	20 mA
Ambient temperature limits	-10/+55°C
Interface	potential free by opto-coupler, max. 30V DC/20mA and min. 5V DC. S0: pulse output described in DIN EN 62053-31, impedance 100 Ohm, pulse length 30ms, 2000 Imp./kWh
Protection degree	IP50 for mounting in distribution cabins with protection class IP51
Maximum conductor cross section	L terminals 16 mm ² N and S0 terminals 6 mm ²
EC type examination certificate	CH-MI003-11016

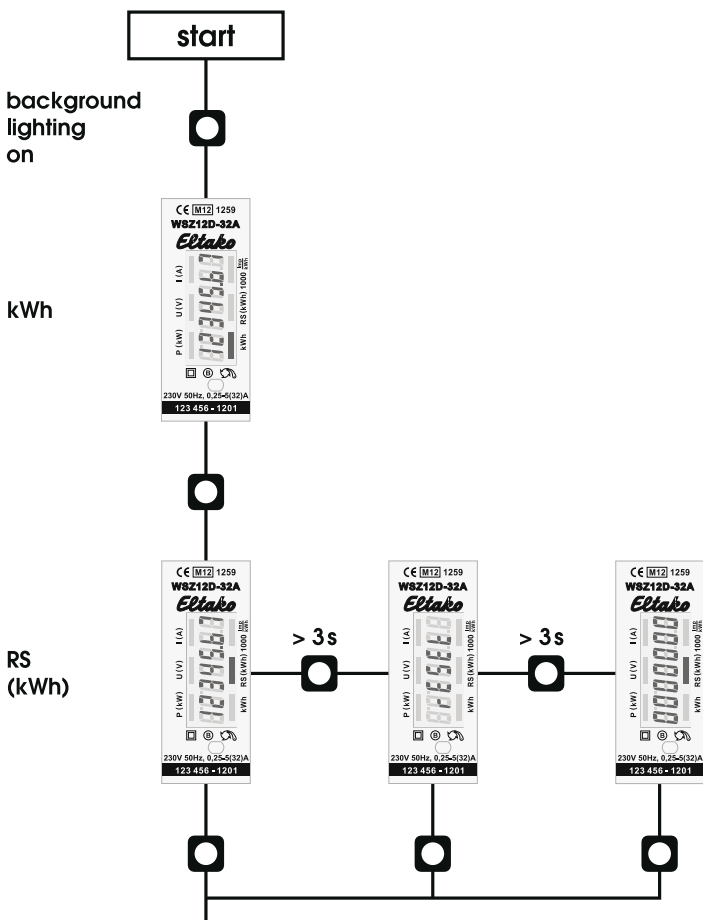
EC DECLARATION OF CONFORMITY

File name	FQKZ032
Product	Single-phase energy meter with MID approval
Type designation	WSZ12D-32 A
EC type examination certificate	CH-MI003-11016
Eltako GmbH, D - 70736 Fellbach, herewith declares, on their own responsibility that the energy meter which this certificate refers to, is in accordance with the following standards:	
EN 50470	parts 1 and 2 (electromechanical meters)
EN 50470	parts 1 and 3: October 2006 (electronic meters)
Directive 2004/22/EG of the European parliament and of the Council on measuring instruments	
<ul style="list-style-type: none"> Annex I, essential requirements Annex MI-003, active electrical energy meters 	
Conformity assessment body	Certification body METAS-Cert, no. 1259 CH-3003 Bern-Wabern
Issuer	Eltako GmbH
Place, Date	Hofener Straße 54, D-70736 Fellbach Fellbach, 22. December 2011
signed	Ulrich Ziegler, General Manager

Typical connection



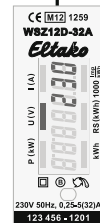
Menu guidance WSZ12D



current power
P (kW)



voltage
U (V)



current
I (A)



back to
start

Important note!

This electrical equipment may only be installed by skilled electricians otherwise fire hazard or danger of electric shock exists!