



Staircase time switch
TLZ12-8E-230V

valid for devices until production week 04/09
(see bottom side of housing)

1 NO contact not potential free 16A/250V AC. Incandescent lamps up to 2300W, energy saving lamps ESL up to 200W. Switch-off early warning and push-button permanent light switchable. Standby loss 0.5 watt only. With ESL optimisation.

Zero passage switching to protect contacts and lamps. This prolongs in particular the lifetime of energy saving lamps.

State-of-the-art hybrid technology combines advantages of nonwearing electronic control with high switching capacity of special relays.

230V control voltage, supply voltage and switching voltage.

Glow lamp current up to 50 mA, dependent on the ignition voltage of the glow lamps.

Precise variable time range from 1 to 30 minutes, settable by minute scale.

Permanent light switch with the big rotary switch.

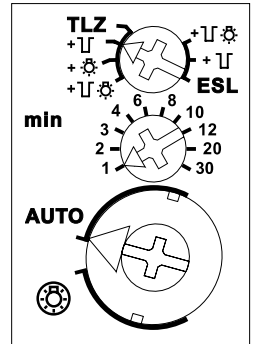
3-wire and 4-wire circuits, resettable, with attic lighting if 4-wire circuit.

Automatic detection of the method of connection.

After a power failure the lighting is switched on again in case the set time has not elapsed yet.

With double connections for push-button and lamp in order to connect either above or below or only below.

Function rotary switches



- TL = Switch-off early warning function
- ☼ = Push-button permanent light
- TL ☼ = Switch-off early warning function and push-button permanent light
- AUTO** = The set function is active
- ☼ = Permanent light switched on (all click-stop positions)

If **switch-off early warning function** TL is switched on the light starts flickering approx. 30 seconds before time-out and is repeated three times at decreasing time intervals.

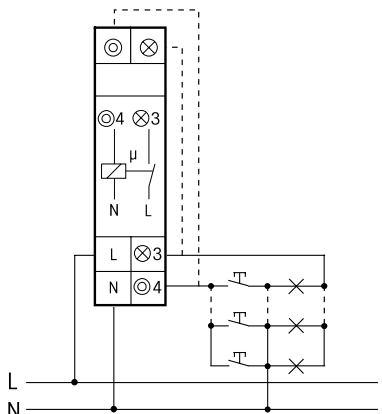
If **push-button permanent light** ☼ is switched on permanent light can be switched on by pressing push-button longer than 1 second. This is switched off automatically after 60 minutes or by pressing push-button longer than 2 seconds.

If both switch-off early warning function and permanent light push-button TL ☼ are switched on, the switch-off early warning function is activated before the permanent light switches off.

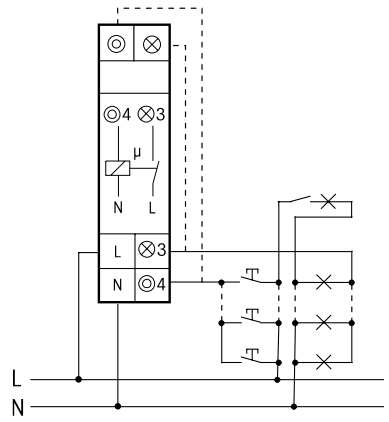
When energy saving lamps ESL are completely or partially switched, then set the switch-off early warning - and the pushbutton permanent light on the right hand side of the rotary switch.

The time can be extended within the first second after switching on or resetting by pressing the push-button repeatedly **up to three times** (incrementing). Each momentary-contact control increments the set time once.

Typical connections



3-wire circuit, resettable



4-wire circuit with attic lighting, resettable

☉	Control push-button 230V with glow lamp current up to 50mA
☼	Lamp connection
Standby loss (activ power) 0,5 W	

! The strain relief clamps of the terminals must be closed, that means the screws must be tightened for testing the function of the device. The terminals are open ex works.

Warning!
Only a trained electrician may install this equipment, otherwise there is a risk of fire or electric shock.