

Wireless sensor



Outdoor humidity temperature sensor FAFT60

Wireless outdoor humidity temperature sensor, 60x46mm, 30mm deep.

The electronic requires no intrinsic power supply, so there is no standby loss.

The wireless outdoor humidity temperature sensor FAFT60 is powered by a solar module and continuously measures relative air humidity from 0% to 100% ($\pm 5\%$) and temperature from -20°C to $+60^{\circ}\text{C}$ ($\pm 0.5^{\circ}\text{C}$). Of course it performs these functions not only outdoors but also indoors, provided the brightness is sufficient.

A wireless telegram is sent to the Eltako wireless network when humidity changes by 2% and temperature changes by 0.6°C . If there is no change in the readings, a control message is sent every 100 to 3000 seconds depending on the charge state of the sensor.

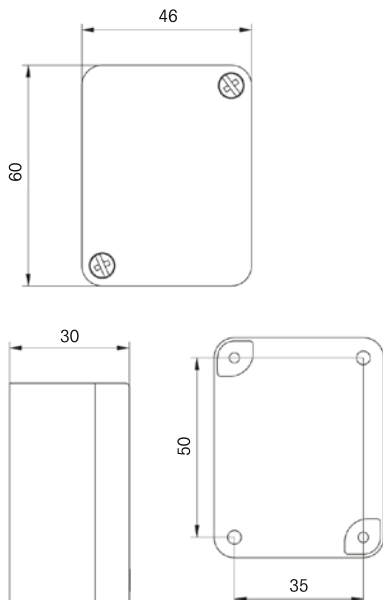
To teach-in in an actuator in teach-in mode, hold the supplied blue magnet or any other magnet at hand below the point on the side panel of the sensor marked by ■. This sends a teach-in telegram.

Solar-powered energy accumulator:

Before startup the energy accumulator must be charged. The charge time is approx. 5 hours at 400 Lux.

The protection class is IP54, the allowable ambient temperature is -20°C to $+60^{\circ}\text{C}$.

For screw mounting or attachment with adhesive. The scope of supply comprises an adhesive foil.



Technical data

Protection degree	IP 54
Operating temperature	$-20^{\circ}\text{C}/+60^{\circ}\text{C}$