

# Three-phase energy meter DSZ12DE-3x65 A with display, without approval



## Maximum current 3x65 A. Standby loss 0.4 watt per path only.

Modulair device for DIN-EN 60715 TH35 rail mounting in distribution cabinets with IP 51 protection class.  
4 modules = 70mm wide and 58mm deep.

Accuracy class B (1%). With SO interface as standard.

It measures active energy by means of the current between input and output. The internal power consumption of 0.4 watt active power per path is neither metered nor indicated.

1, 2 or 3 phase conductors with max. currents up to 65A can be connected. The inrush current is 40mA.

The N terminal must always be connected.

## The 7 segment LC display is also legible twice within a period of 2 weeks without power supply.

Power consumption is shown by a bar flashing at a rate of 100 times per kWh.

**Designed as standard for using as double-tariff meter:** Switch over to a second tariff by applying 230V to terminals E1/E2.

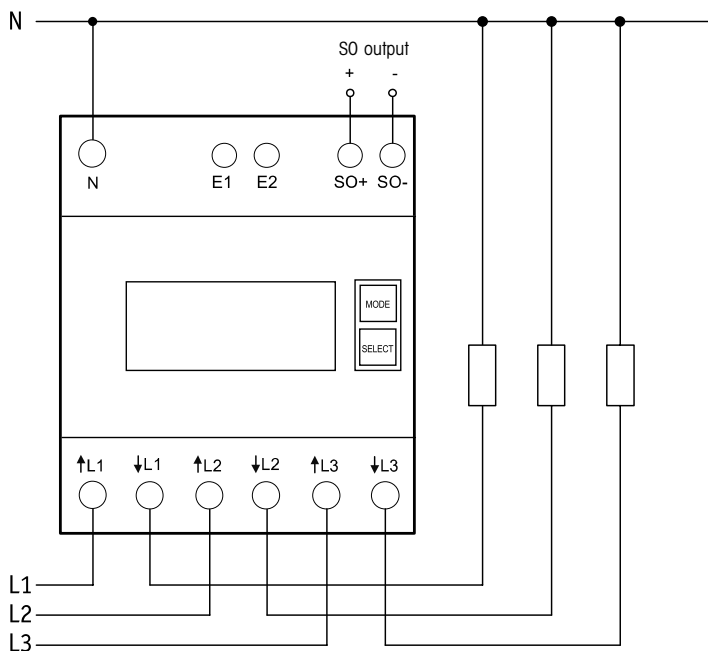
On the right next to the display are the keys MODE and SELECT. Press them to scroll through the menu. First the **background lighting** switches on. The display then shows the total power per tariff and per resettable memory RS1 or RS2, and the instantaneous values of consumption, voltage and current per phase.

## Error message (false)

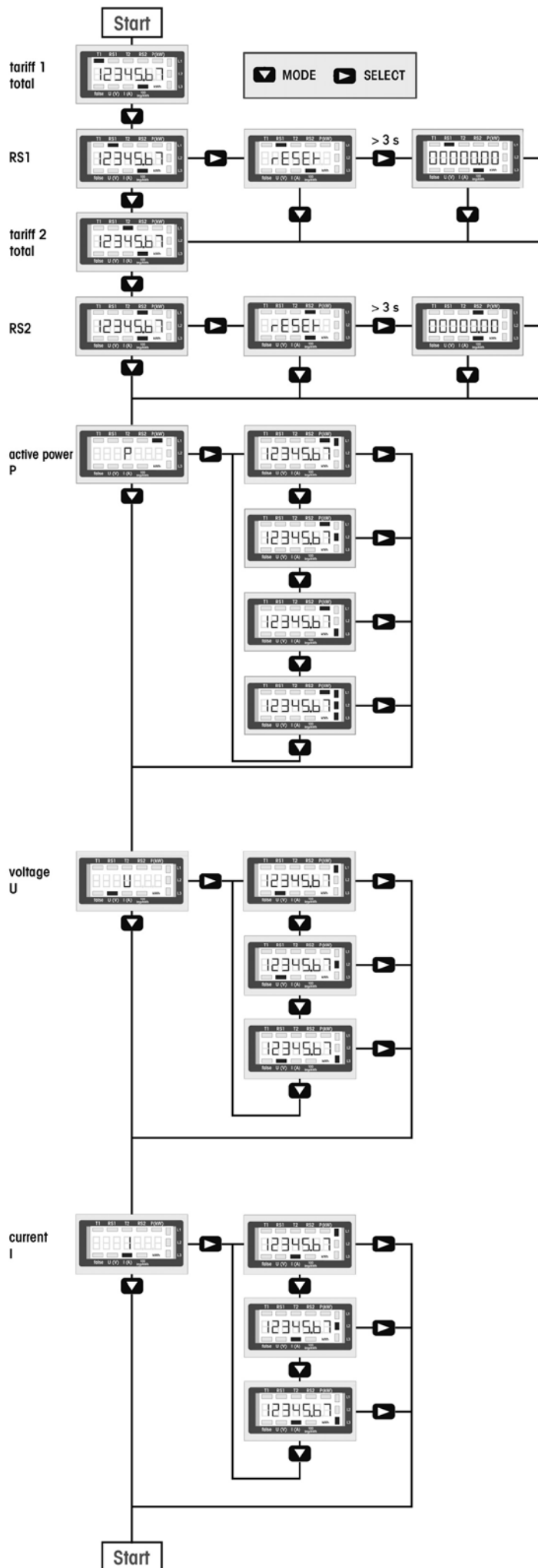
When the phase conductor is missing or the current direction is wrong 'false' and the corresponding phase conductor are indicated on the display.

## Typical connection:

4-wire-connection 3x230/400V



## Menu guidance



**Technical data**

Rated voltage, extended range	3x230/400 V, 50 Hz, -20%/+15%
Reference current $I_{ref}$ (Limiting current $I_{max}$ )	3x10(65)A
Internal consumption active power	0.4 W per path
Reading active power	LC display 7 digits, therefrom 1 or 2 digits after the decimal point
Accuracy class $\pm 1\%$	B
Inrush current according to accuracy class B	40 mA
Operating temperature	-10/+55°C
Interface	Pulse interface SO according to DIN EN 62053-31, potential free by opto-coupler, max. 30V DC/20mA and min. 5V DC, impedance 100 ohms, pulse length 30ms, 1000 Imp./kWh
Terminal cover sealable	With 2 sealing caps PK36
Protection degree	IP50 for mounting in distribution cabins with protection class IP51
Maximum conductor cross section	N and L terminals 16 mm <sup>2</sup> , SO terminals 6 mm <sup>2</sup>
<b>CE</b>	EN 50470

**Important reminder!**

This electrical equipment may only be installed by skilled electricians otherwise fire hazard or danger of electric shock exists!