

DC Motor Relay DCM12-8..230V UC

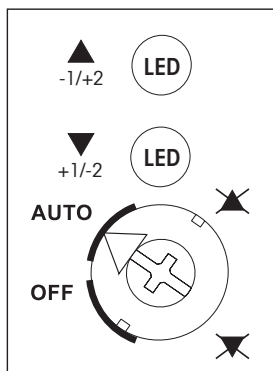


2 NO contacts 24 V DC/90 Watt, for one 24V DC motor. Standby loss 0.1 watt only.

Universal control voltage 8..230V UC
24V DC supply voltage.

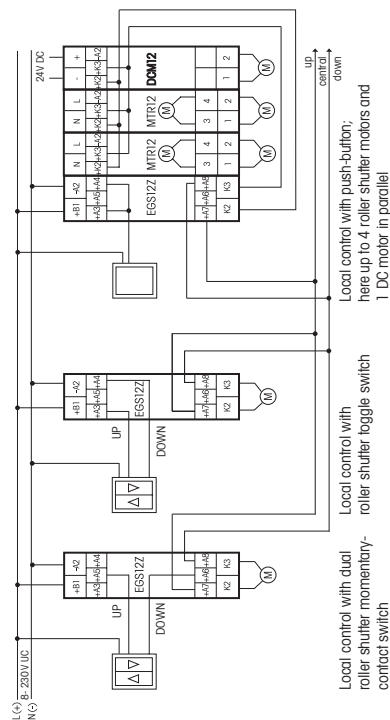
The DCM12 can be operated in parallel, but they require unassigned contact outputs K2/K3 of the controlling EGS12Z. These have to be connected to terminals K2/K3 of the DCM12.

Function rotary switches and LED display



The functions UP and DOWN may be blocked or switched off entirely by a rotary switch. This block applies only to the 1 connected motor. Therefore single shading elements or roller shutters can be completely or partially excepted from the automatic function of an over-all control.

Typical connection



Technical Data

Rated switching capacity	24 V DC/90 W
Switch position indication	LED
Time on (also for central on/off)	100%
Temperature at mounting location	+50°C/-20°C

Warning

Only a trained electrician may install this equipment, otherwise there is a risk of fire or electric shock.